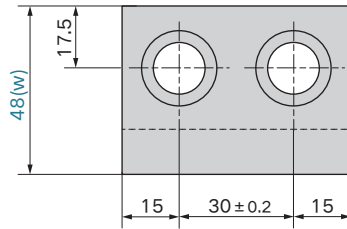
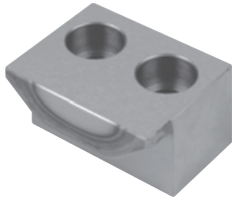


SX-FWFBS

SX-FWFB

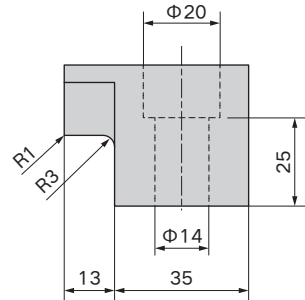
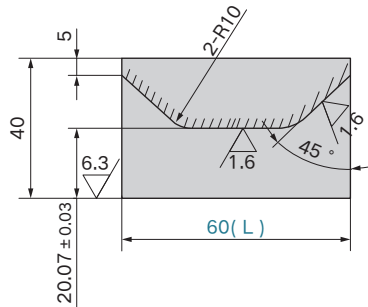


SX-FWFB
Bronze

SX-FWFB
Bronze

SX-FWFBS
Stahl
Induktionsgehärtet (HRC55 oder höher)

SX-FWFBS
Steel
Induction hardening (HRC55 or more)



Bestell-Nr. Catalog No.	(W)	(L)
SX-FWFB SX-FWFBS	48	60

Bestellnummer / Order Number

 Bestellnr. / Catalog No. - **W** - **L**
SX-FWFB - **48** - **60**

