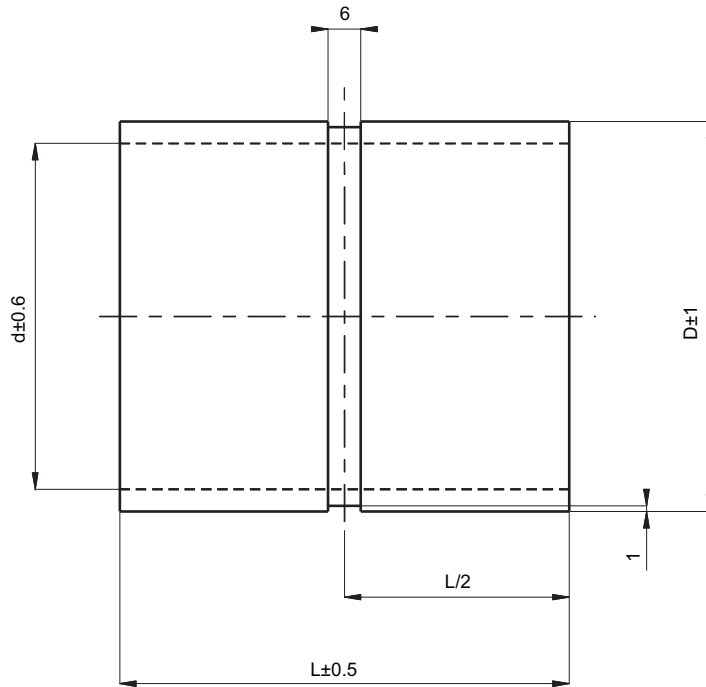


WDX22-80-06

Material:E195 1.0034

WDX-Code	Tragbolzen / Lift pin Ø	L	d	D
WDX22-80-08235	35	32	36	44
WDX22-80-08250	50	52	52	60
WDX22-80-08263	63	82	65	73
WDX22-80-08280	80	102	82	92

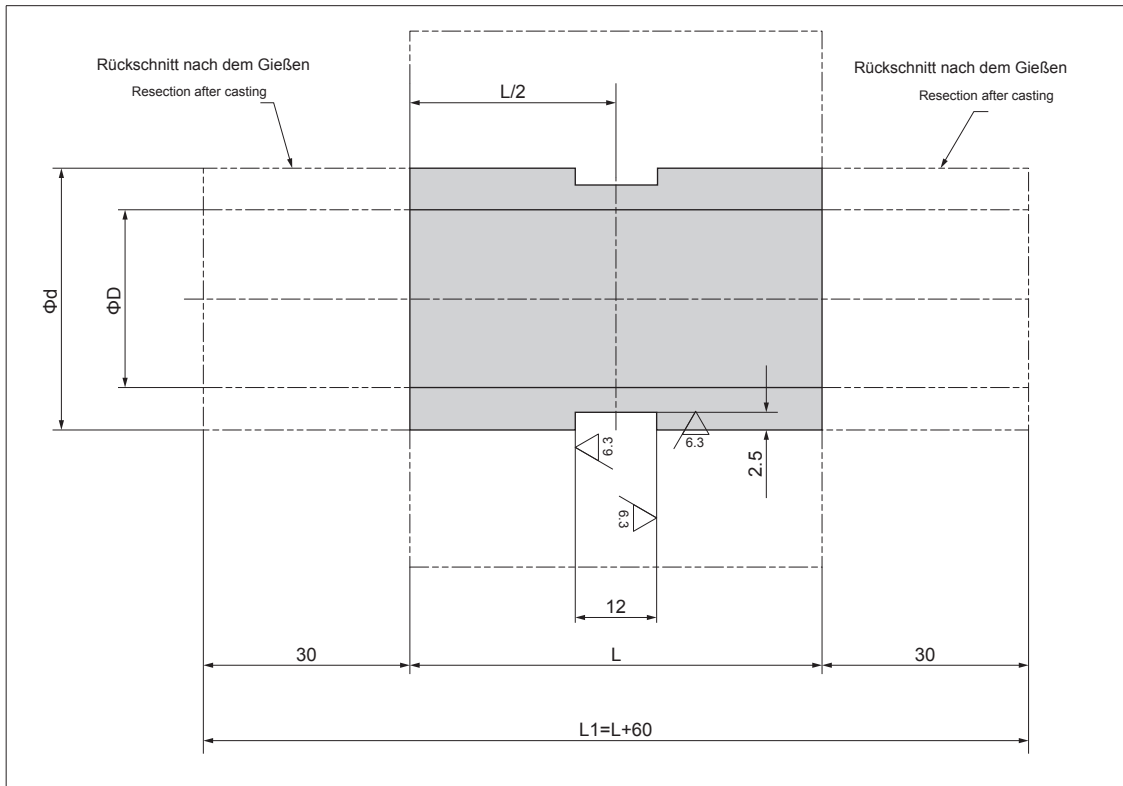
Bestellnummer / Order Number


Bestellnr. / Catalog No.

WDX22-80-082

- Ø Lift pin

297



DM-QZTA


Material:Kaltgewalztes nahtloses Stahlrohr YB231

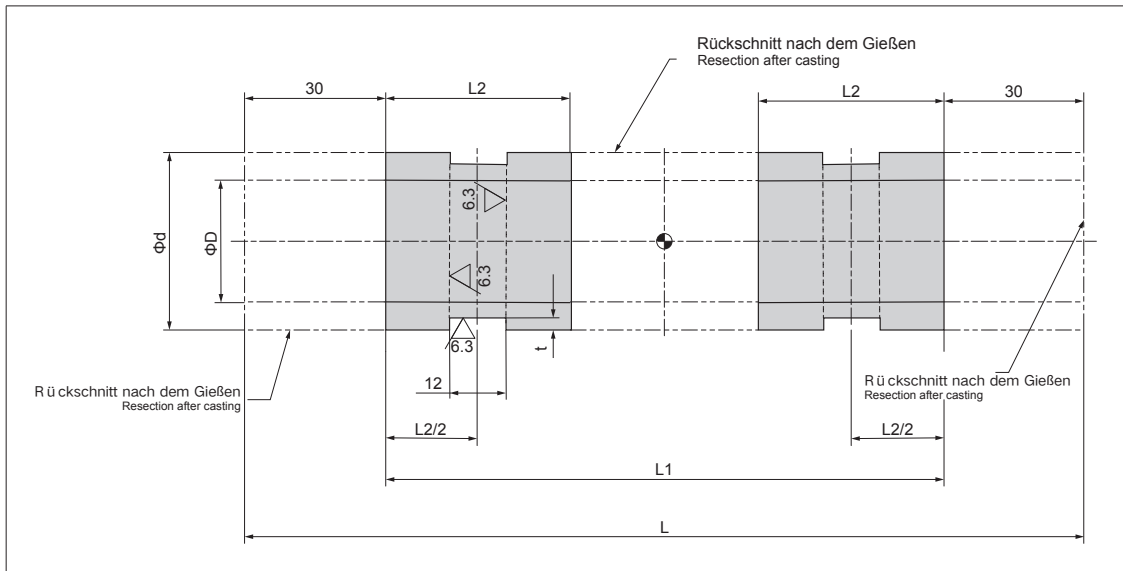
Material:Cold-rolled seamless steel tube YB231

Bestell-Nr. Catalog No.	D	L	d	d x ((d-D)/2)	L1
DM-QZTA	26	60-80	38	38x6	L+60
	33	80-100	45	45x6	
	41	100-120	55	55x7	
	51	110-140	68	68 x 8.5	
	64	130-150	82	82x9	
	81	150-160	101	101 x10	

Bestellnummer / Order Number

	Bestellnr. / Catalog No.	-	D	-	L
	DM-QZTA	-	30	-	80




DM-QZTB

Material:Kaltgewalztes nahtloses Stahlrohr YB231

Material:Cold-rolled seamless steel tube YB231

Bestell-Nr. Catalog No.	D	d x ((d-D)/2)	d	L	L ₁	L ₂	t
DM-QZTB	26	38x6	38	180	120	40	2
	33	45x6	45	180	120	40	2
	41	55x7	55	230	170	50	2.5
	51	68 x 8.5	68	260	200	65	2.5
	64	82x9	82	290	230	75	3
	81	101 x10	101	350	290	100	3
	92	114x11	114	390	330	120	3.5

Bestellnummer / Order Number

	Bestellnr. / Catalog No.	-	D
	DM-QZTB	-	33

