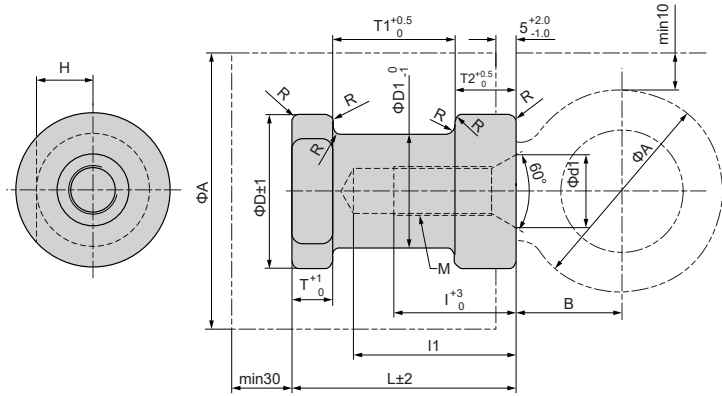
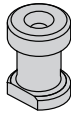


**SZ-QZSM**



Material: S35C  
Materia: S35C



Situation 1



Situation 2



| Bestell-Nr.<br>Catalog No. |    | D  | A   | D1 | d1 | I  | I1 | L   | T  | T1 | T2 | H    | R | MXP     | (kg)<br>Zulässige Belastung<br>Allowable load |             |
|----------------------------|----|----|-----|----|----|----|----|-----|----|----|----|------|---|---------|---|-------------|
| Typ<br>Type                | M  |    |     |    |    |    |    |     |    |    |    |      |   |         | Ringschraube<br>Ring bolt                     |             |
|                            |    |    |     |    |    |    |    |     |    |    |    |      |   |         | Situation 1                                   | Situation 2 |
| SZ-QZSM                    | 12 | 38 | 90  | 28 | 18 | 30 | 40 | 55  | 10 | 30 | 15 | 14   | 2 | 12x1.75 | 220   | 220         |
|                            | 16 | 46 | 105 | 36 | 22 | 35 | 45 | 55  | 10 | 30 | 15 | 18   | 2 | 16x2.0  | 450   | 450         |
|                            | 20 | 48 | 110 | 38 | 28 | 45 | 55 | 70  | 15 | 35 | 20 | 19   | 2 | 20x2.5  | 600   | 600         |
|                            | 24 | 55 | 135 | 45 | 36 | 55 | 65 | 85  | 20 | 45 | 20 | 22.5 | 2 | 24x3.0  | 1000  | 1000        |
|                            | 30 | 65 | 160 | 52 | 42 | 65 | 75 | 95  | 25 | 50 | 20 | 26   | 3 | 30x3.5  | 1700  | 1700        |
|                            | 36 | 85 | 190 | 70 | 48 | 75 | 90 | 110 | 30 | 55 | 25 | 35   | 3 | 36x4.0  | 2300  | 2300        |

| Catalog NO. |    | ΦA  | B  |
|-------------|----|-----|----|
| Type        | M  |     |    |
| SZ-QZSM     | 12 | 50  | 26 |
|             | 16 | 60  | 30 |
|             | 20 | 72  | 35 |
|             | 24 | 90  | 45 |
|             | 30 | 110 | 55 |
|             | 36 | 133 | 65 |

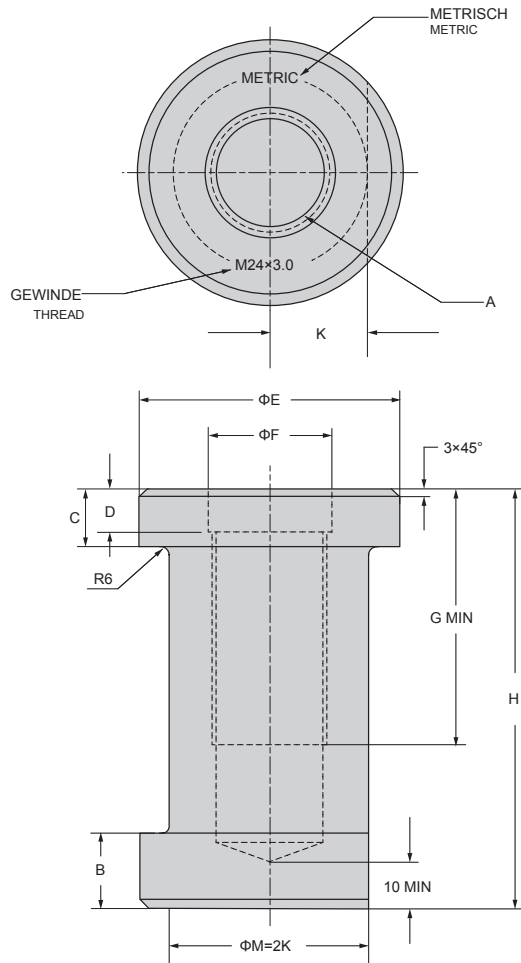
**Bestellnummer / Order Number**



Bestellnr. / Catalog No.

**SZ-QZSM12**



**NA-QZSM**


Material: 42CrMo

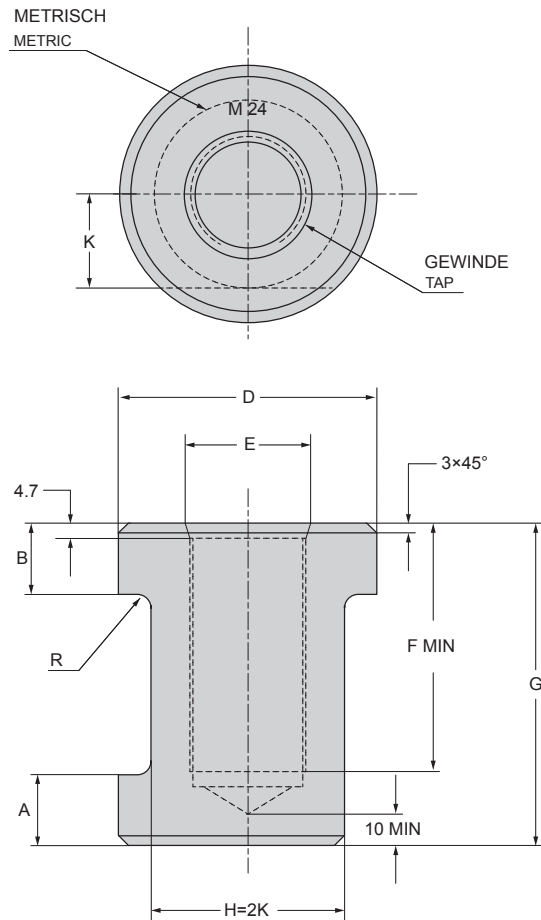
Material: 42CrMo

| Bestell-Nr.<br>Catalog No. | A         | B  | C  | D  | $\Phi E$ | $\Phi F$ | G  | H   | $\Phi M$ | K  |
|----------------------------|-----------|----|----|----|----------|----------|----|-----|----------|----|
| NA-QZSM16                  | M16 x 2.0 | 16 | 12 | 7  | 45       | 18       | 42 | 72  | 32       | 16 |
| NA-QZSM20                  | M20 x 2.5 | 16 | 12 | 8  | 50       | 22       | 50 | 80  | 36       | 18 |
| NA-QZSM22                  | M22 x 2.5 | 16 | 12 | 9  | 55       | 26       | 54 | 88  | 42       | 21 |
| NA-QZSM24                  | M24 x 3.0 | 16 | 12 | 9  | 55       | 26       | 54 | 88  | 42       | 21 |
| NA-QZSM30                  | M30 x 3.5 | 20 | 20 | 10 | 70       | 33       | 70 | 100 | 50       | 25 |
| NA-QZSM36                  | M36 x 4.0 | 22 | 22 | 10 | 80       | 39       | 82 | 112 | 60       | 30 |

**Bestellnummer / Order Number**


Bestellnr. / Catalog No.

**NA-QZSM20**


**FN-QZSM**


Material: 42CrMo

Material: 42CrMo

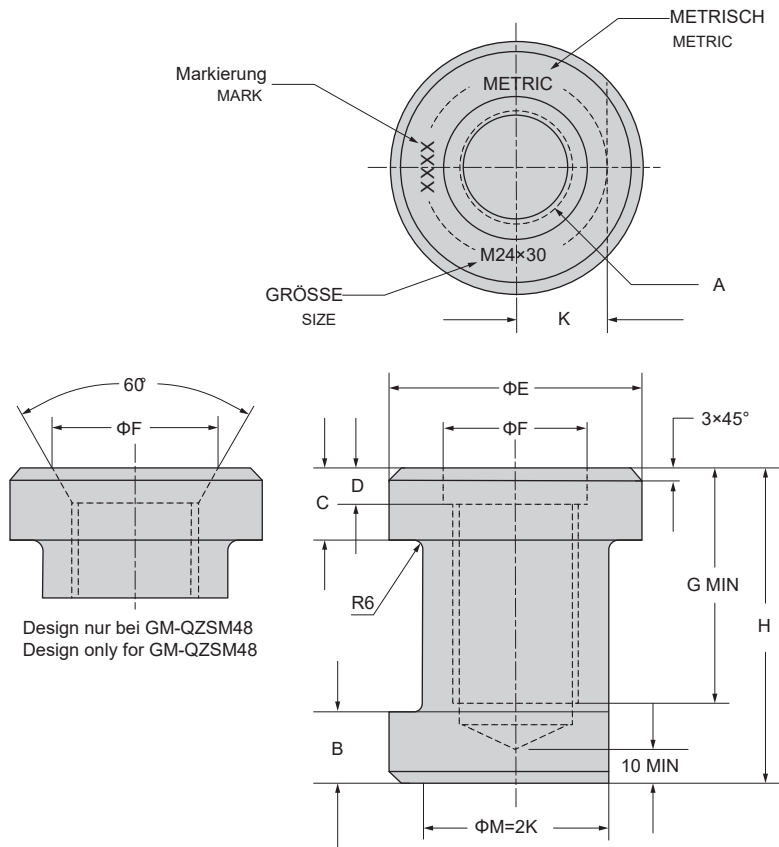
| Katalog-Nr. /<br>Catalog No. | Gewinde /<br>Tap hole size | WDX-Code       | A  | B  | R | D   | E  | F   | G   | K  |
|------------------------------|----------------------------|----------------|----|----|---|-----|----|-----|-----|----|
| FN-QZSM16                    | M16x2.0                    | WDX-22-60-0316 | 16 | 12 | 2 | 50  | 18 | 42  | 55  | 16 |
| FN-QZSM20                    | M20x2.5                    | WDX-22-60-0320 | 16 | 12 | 2 | 65  | 22 | 47  | 65  | 18 |
| FN-QZSM24                    | M24x3.0                    | WDX-22-60-0324 | 16 | 12 | 2 | 65  | 26 | 57  | 75  | 20 |
| FN-QZSM30                    | M30x3.5                    | WDX-22-60-0330 | 20 | 20 | 5 | 85  | 33 | 67  | 90  | 30 |
| FN-QZSM36                    | M36x4.0                    | WDX-22-60-0336 | 22 | 22 | 5 | 107 | 39 | 77  | 100 | 40 |
| FN-QZSM42                    | M42x4.5                    | WDX-22-60-0342 | 25 | 25 | 5 | 107 | 45 | 95  | 130 | 40 |
| FN-QZSM48                    | M48x5.0                    | WDX-22-60-0348 | 30 | 30 | 5 | 107 | 51 | 110 | 150 | 40 |

| GEWINDE<br>THREAD | Zulässige Belastung<br>Allowable Load |
|-------------------|---------------------------------------|
| M16               | 4500 LB./2'041 Kg.                    |
| M20               | 9200 LB./4'173 Kg.                    |
| M24               | 12400 LB./5'624 Kg.                   |
| M30               | 22000 LB./9'979 Kg.                   |
| M36               | 28000 LB./12'700 Kg.                  |

**Bestellnummer / Order Number**


Bestellnr. / Catalog No.

**FN-QZSM24**


**GM-QZSM**


Material: 42CrMo  
 Tensile strength: 950 MPa  
 Yield strength: 834 MPa

| Bestell-Nr.<br>Catalog No. | A       | B  | C  | D  | ΦE  | ΦF | G   | H   | K  |
|----------------------------|---------|----|----|----|-----|----|-----|-----|----|
| GM-QZSM16                  | M16x2.0 | 16 | 12 | 7  | 45  | 18 | 42  | 72  | 16 |
| GM-QZSM20                  | M20x2.5 | 16 | 12 | 8  | 50  | 22 | 50  | 80  | 18 |
| GM-QZSM24                  | M24x3.0 | 16 | 12 | 9  | 54  | 26 | 54  | 88  | 21 |
| GM-QZSM30                  | M30x3.5 | 20 | 20 | 10 | 70  | 33 | 70  | 100 | 25 |
| GM-QZSM36                  | M36x4.0 | 22 | 22 | 10 | 80  | 39 | 82  | 112 | 30 |
| GM-QZSM48                  | M48x5.0 | 30 | 30 | -  | 108 | 60 | 110 | 150 | 40 |

**Bestellnummer / Order Number**


Bestellnr. / Catalog No.

**GM-QZSM16**
