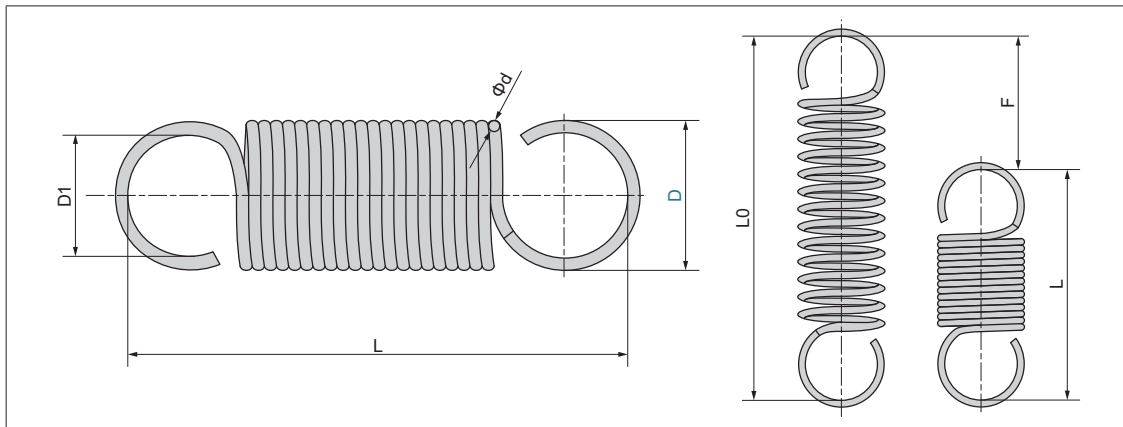



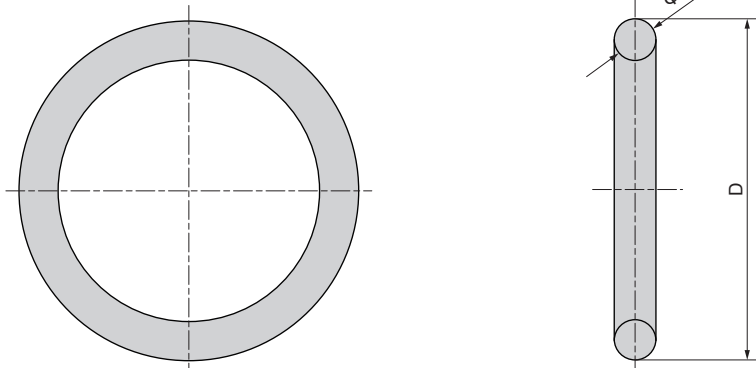
SZ-LHA


Bestell-Nr. Catalog No.	D	L	D1	d	Federrate Spring constant (N/mm)	F Maximaler Federweg Maximum deflection	Maximale Federkraft Maximum load (N)	Anfangsspannung Initial tension (N)
Typ Type								
SZ-LHA	25	68	21 (±0.4)	2	0.95	55.2	61.98	9.22
		83			0.60	87.9		
		105			0.39	132.9		
		143			0.25	210.6		
		203			0.16	333.3		
	32	86.1	26.8 (±0.5)	2.6	1.30	64.9	101.40	16.57
		106.5			0.82	103.4		
		135.5			0.54	156.3		
		184.9			0.34	247.7		
		262.9			0.22	392.0		
	25	72.1	19.8 (±0.4)	2.6	2.95	35.1	132.39	28.73
		92.5			1.86	55.9		
		121.5			1.23	84.5		
		170.9			0.77	133.9		
		248.9			0.49	211.9		
	32	91.2	25.6 (±0.4)	3.2	3.19	45.5	184.66	39.42
		116.8			2.00	72.5		
		152.0			1.32	109.5		
		212.8			0.83	173.6		
		308.8			0.53	274.7		
	25	77.2	18.6 (±0.4)	3.2	7.37	23.8	242.22	67.08
		102.8			4.63	37.8		
		138.0			3.06	57.2		
		198.8			1.93	90.6		
		294.8			1.22	143.4		
	32	98	24 (±0.5)	4	8.48	30.0	353.53	99.44
		130			5.33	47.7		
		174			3.52	72.2		
		250			2.23	114.3		
		370			1.40	180.9		
	25	84	17 (±0.4)	4	20.01	15.3	466.99	161.91
		116			12.55	24.3		
		160			8.31	36.7		
		236			5.25	58.2		
		356			3.31	92.1		

Bestellnummer / Order Number

	Bestellnr. / Catalog No.	-	D	-	L
	SZ-LHA	-	25	-	68




SZ-THGH


Material: S235JRG2
Oberflächenbehandlung: Fe₃O₄ Schutzschicht

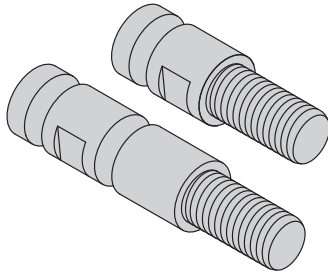
Material: S235JRG2
Surface treatment: Fe₃O₄ protective film

Bestell-Nr. Catalog No.		D
Typ Type	d	
SZ-THGH	4	34
		40
	5	40

Bestellnummer / Order Number

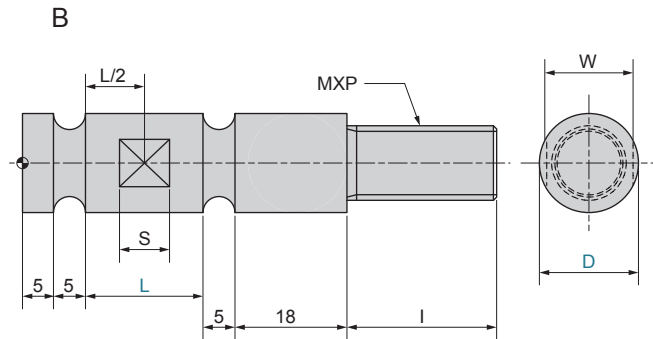
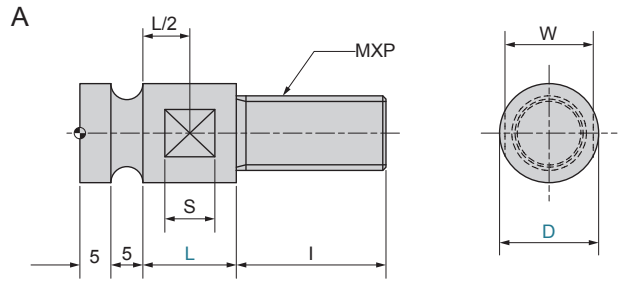
	Bestellnr. / Catalog No.	-	D
	SZ-THGH4	-	34



SZ-LHX



Material: C45
Oberflächenbehandlung: Fe₃O₄ Schutzschicht

Material: C45
Surface treatment: Fe₃O₄ protective film



Bestell-Nr. Catalog No.		L	S	W	I	S
Typ Type	D					
SZ-LHXA	16	12 15 18	8	14	24	12X1.75
	20			17	32	16X2.0
	25			22	40	20X2.5
SZ-LHXB	16	25 30	8	14	24	12X1.75
	20	25 30 35		17	32	16X2.0
	25	35 45		10	22	40

Bestellnummer / Order Number

	Bestellnr. / Catalog No.	-	L
	SZ-LHXA20	-	15

