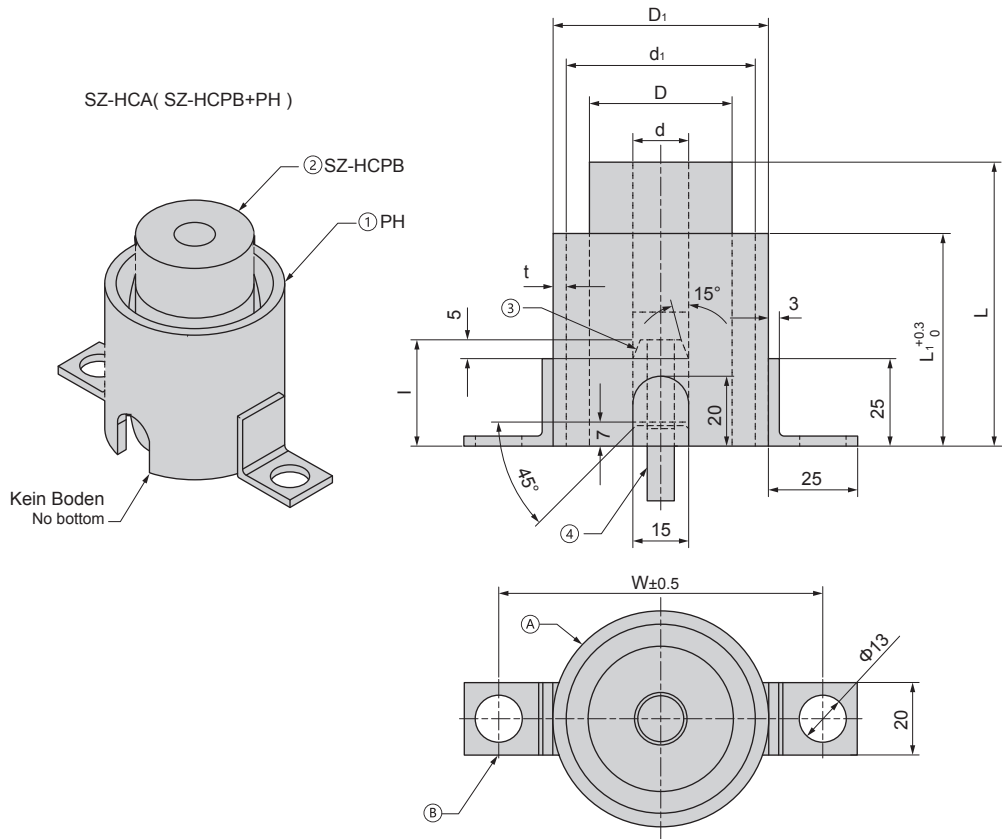


SZ-HCA



- Bauteile:**
- 1. Weg Stopper SGP(A)
 SS400(B)
 - 2. Urethandämpfer Shore A90
 - 3. Gehäuse SS400
 - 4. Bolzen

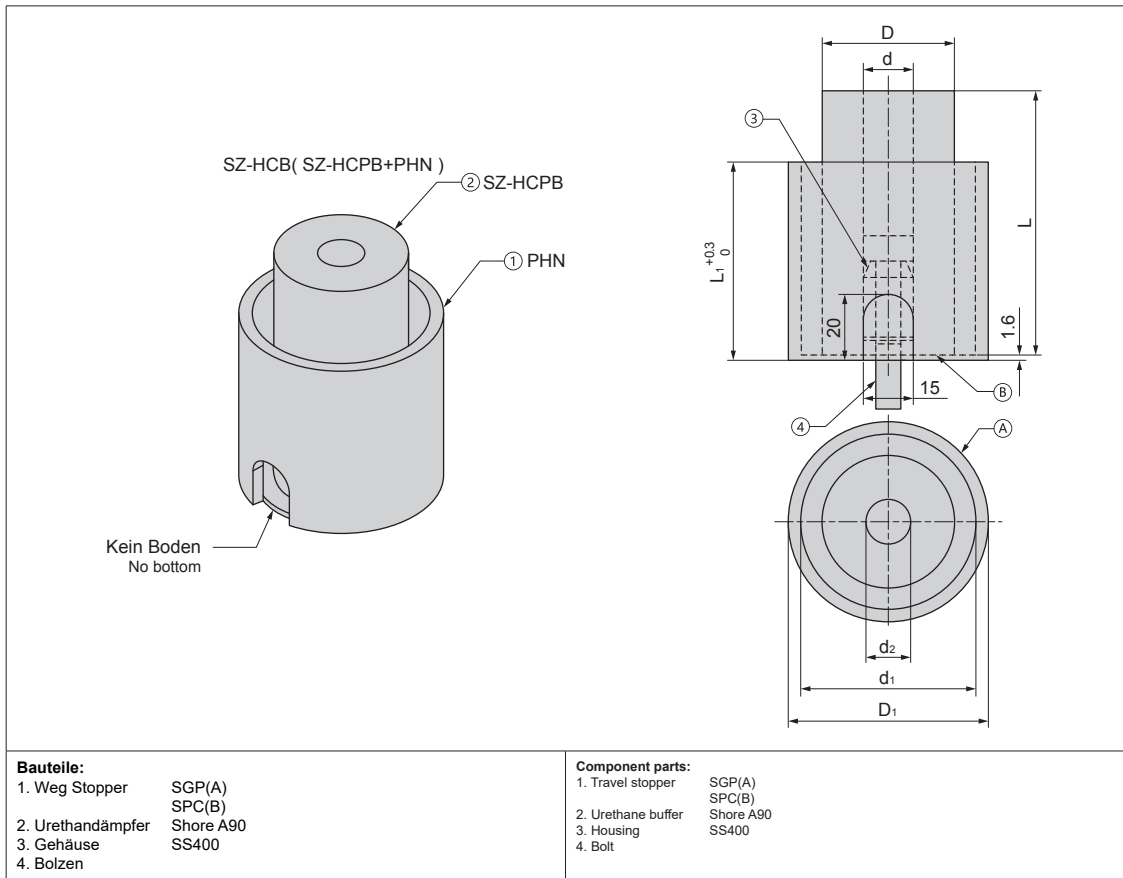
- Component parts:**
- 1. Travel stopper SGP(A)
 SS400(B)
 - 2. Urethane buffer Shore A90
 - 3. Housing SS400
 - 4. Bolt

Bestell-Nr. Catalog No.		Farbe Color	Urethane ②③④ SZ-HCPB			A B Gehäuse/Housing PH					Gehäuse Housing ③ S	Bolzen Bolt ④			
Typ Type	D		D	L	d	D ₁	L ₁	d ₁	t	w					
SZ-HCA	40	R(Red) Y(Yellow)	40	80	14	60.5	60	52.9	3.8	91	S14	CB8-45			
	50		50	110		89.1	85	80.7	4.2	119					
	70		70	140		22	90	101.6	100	93.2			4.2	132	
							110	90	100	130.8			4.5	170	
							90	90	139.8	100			130.8	4.5	170
							110	100	165.2	100			155.2	5.0	195
	90		90	140	22	90	100	130.8	4.5	170	S22	CB12-50			
	100		100	100	22	110	100	155.2	5.0	195					

Bestellnummer / Order Number

 Bestellnr. / Catalog No. - L - L₁ - color
SZ-HCA50 - 110 - 85 - R



SZ-HCB


Bestell-Nr. Catalog No.		Farbe Color	Urethane ②③④ SZ-H CPB			A B Gehäuse/Housing PHN					Gehäuse Housing ③ S	Bolzen Bolt ④
Typ Type	D		D	L	d	D ₁	L ₁	d ₁	t	d ₂		
SZ-HCB	40	R(Red) Y(Yellow)	40	80	14	60.5	60	52.9	3.8	9	S14	CB8-45
	50		50	110		89.1	85	80.7	4.2			
	70		70	140		101.6	110	93.2	4.2			
	90		90		139.8	130.8		4.5	13			
	100		100	22	152.9	142.5	5.0	S22		CB12-50		

Bestellnummer / Order Number

	Bestellnr. / Catalog No.	-	L	-	L ₁	-	color
	SZ-HCB50	-	110	-	85	-	R

