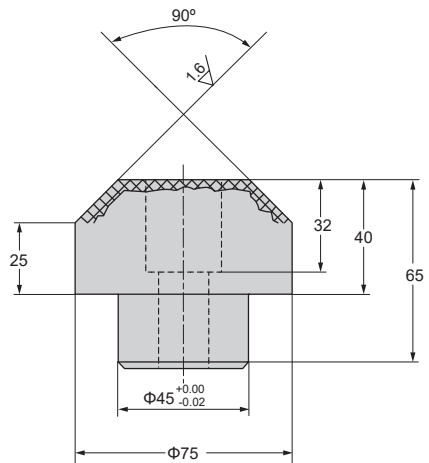
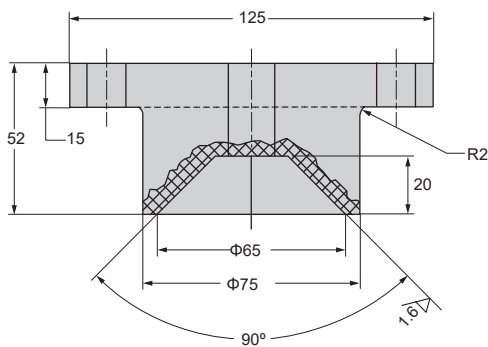
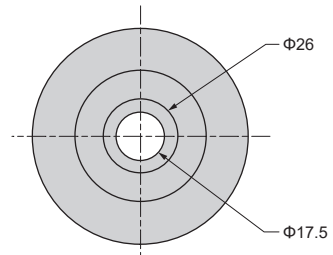
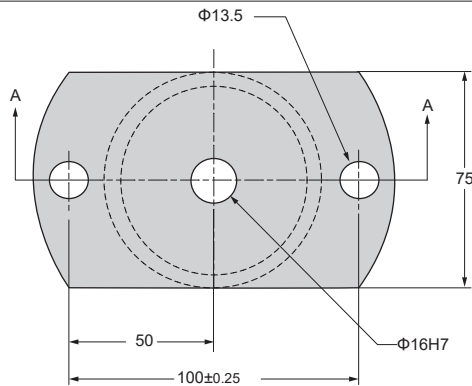
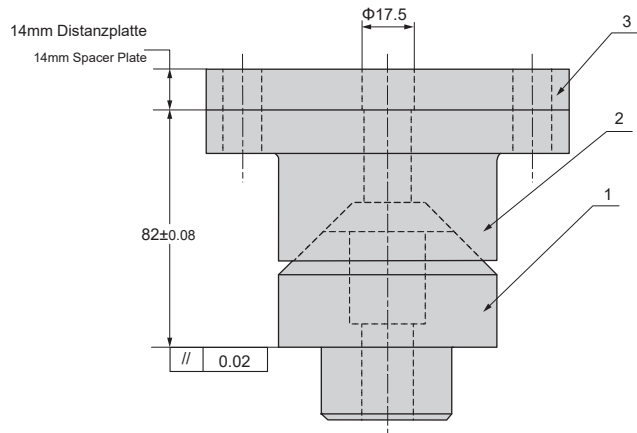


FG-ZDWA

- 1. INNENKEGEL / MALE CONE
- 2. AUßENKEGEL / FEMALE CONE
- 3. DISTANZPLATTE / SPACER PLATE

Material: 42CrMo

Wärmebehandlung / Heat treatment: HRC54-58



Bestellnummer / Order Number

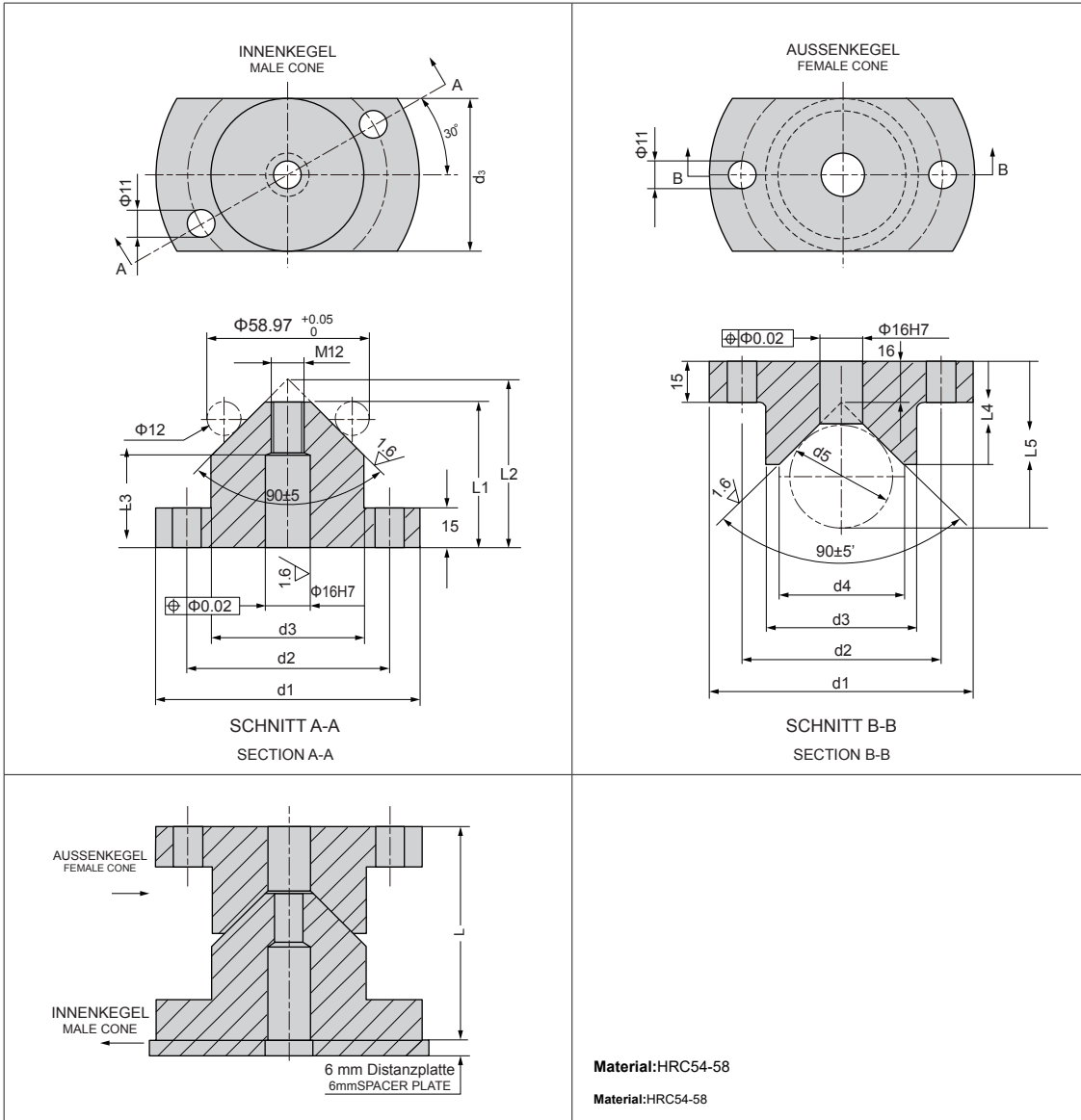


Bestellnr. / Catalog No.

FG-ZDWA125-82



GM-ZDWB



Bestell-Nr. Catalog No.	d1	FORM	d2	d3	d4	d5	L1 ^{+0.05} ₋₀	L2	L3	L4	L5 ^{+0.05} ₋₀	L±0.05
GM-ZDWB 100-80	100	A	76	58	—	—	55	64	35	—	—	80
		B			48	40	—	—	40	64.28		
GM-ZDWB 120-90	120	A	96	78	—	—	65	74	45	—	—	90
		B			68	50	—	—	50	76.36		

Bestellnummer / Order Number



Bestellnr. / Catalog No.

GM-ZDWB100-80

