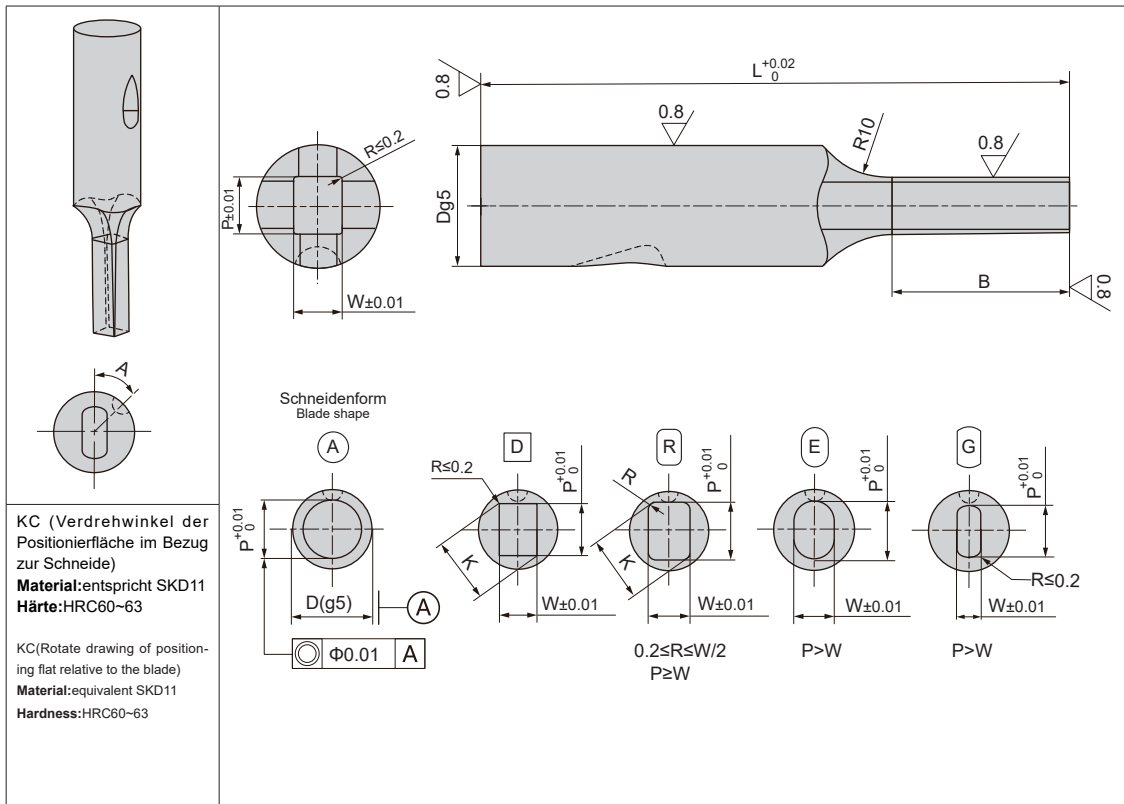



SZ-PCA



Bestell-Nr. Catalog No.			D	L	Abmessung in 0,01 mm Schritten Dimensions span 0.01 mm A	Abmessung in 0,01 mm Schritten Dimensions span 0.01 mm D R E G		H	B	
Typ Type	Schneiden- form Blade shape	Schneidenlänge Blade length			P	K max.	W min.			
SZ-PCA	A D R E G	S	10	63 71 74 80 90	3.00-9.97	9.90	2.50	13	13	
			13		6.00-12.97	12.90	3.00	16		
			16		10.00-15.97	15.90	4.00	19		
			20		13.00-19.97	19.90	5.00	23		
			25		18.00-24.97	24.90	6.00	28		
			32		22.00-31.97	31.90	7.00	35		
		L	L	10	71 74 80 90	3.00-9.97	9.90	2.50	13	19
				13		6.00-12.97	12.90	3.00	16	
				16		10.00-15.97	15.90	4.00	19	
				20		13.00-19.97	19.90	5.00	23	
				25		18.00-24.97	24.90	6.00	28	
				32		22.00-31.97	31.90	7.00	35	

Bestellnummer / Order Number

 Bestellnr. / Catalog No. - L - P - W - R
SZ-PCARS16 - 74 - 12.00 - 10.00 - 3.00

