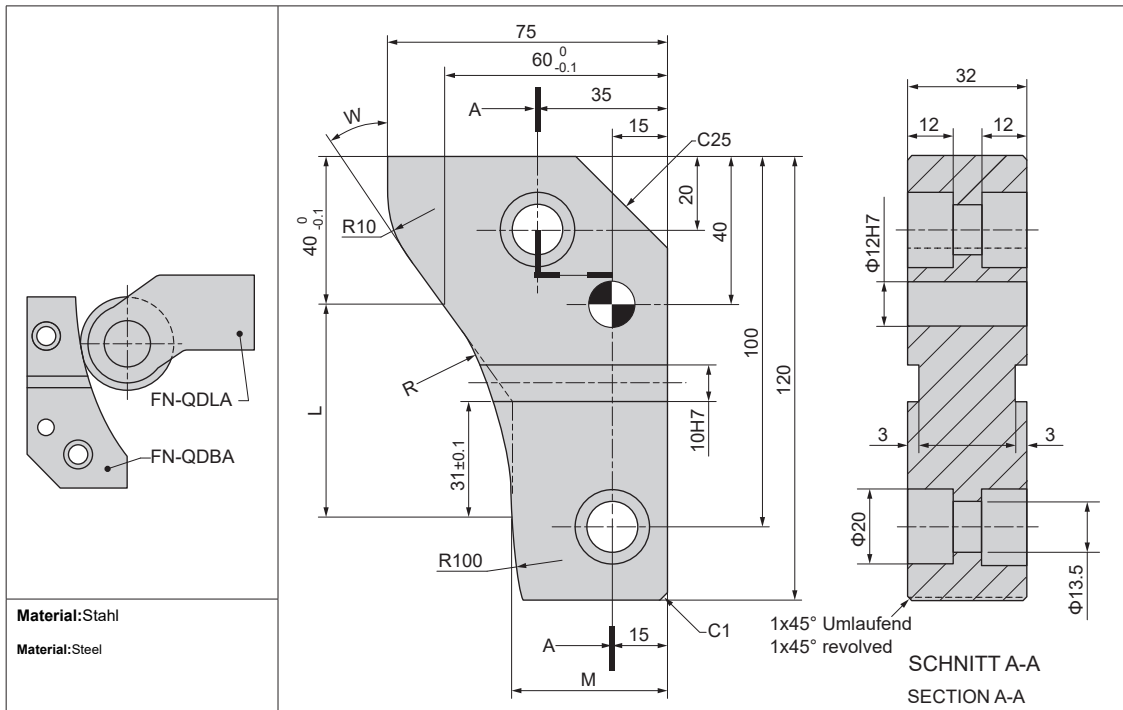


FN-QDBA


Bestell-Nr. Catalog No.	SCHIEBERWINKEL CAM ANGLE	W	L±0.1	R±0.1	M±0.1
FN-QDBA-10A	-10°	35.0°	57.35	100	41.91
5A	-5°	37.5°	60.87	100	39.33
0B	0°	40.0°	57.85	90	38.94
5B	5°	42.5°	50.67	75	40.30
10B	10°	45.0°	53.03	75	38.04
15B	15°	47.5°	55.29	75	35.67
20B	20°	50.0°	49.79	65	36.78
25B	25°	52.5°	51.57	65	34.56

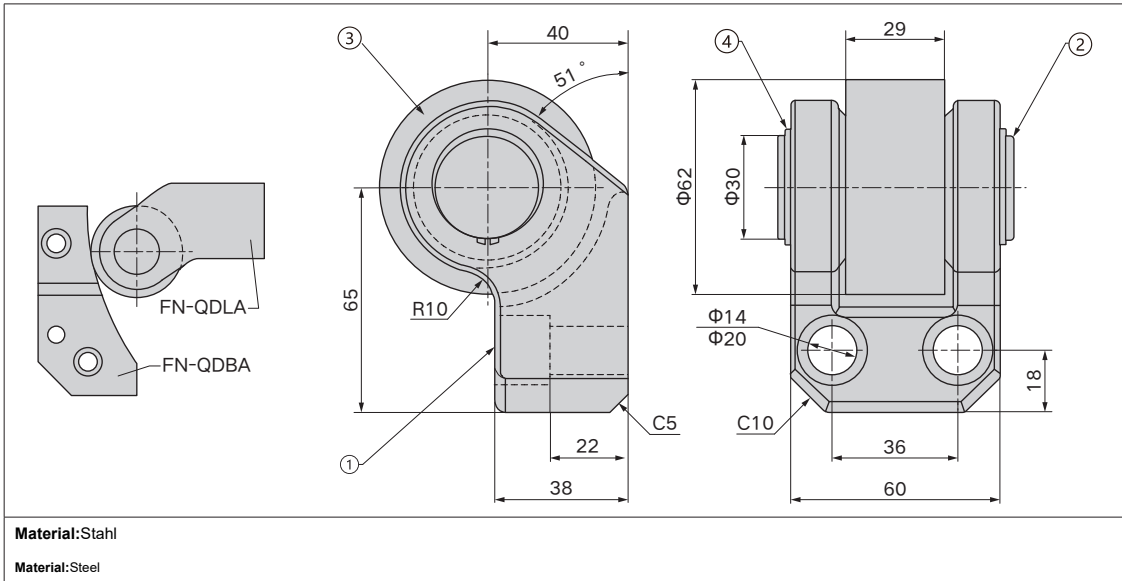
Bestellnummer / Order Number


Bestellnr. / Catalog No.

FN-QDBA




FN-QDLA



Material:Stahl

Material:Steel

Nr. No.	Beschreibung Description	Menge Qty	Material und Bemerkung Material and Remark
①	Unterbau Base	1	ZG45
②	Stift Pin	1	42CrMo
③	Lager Bearing	1	MCYRR-30-SX
④	Sprengring Snap Ring	2	GB/T894(25mm)

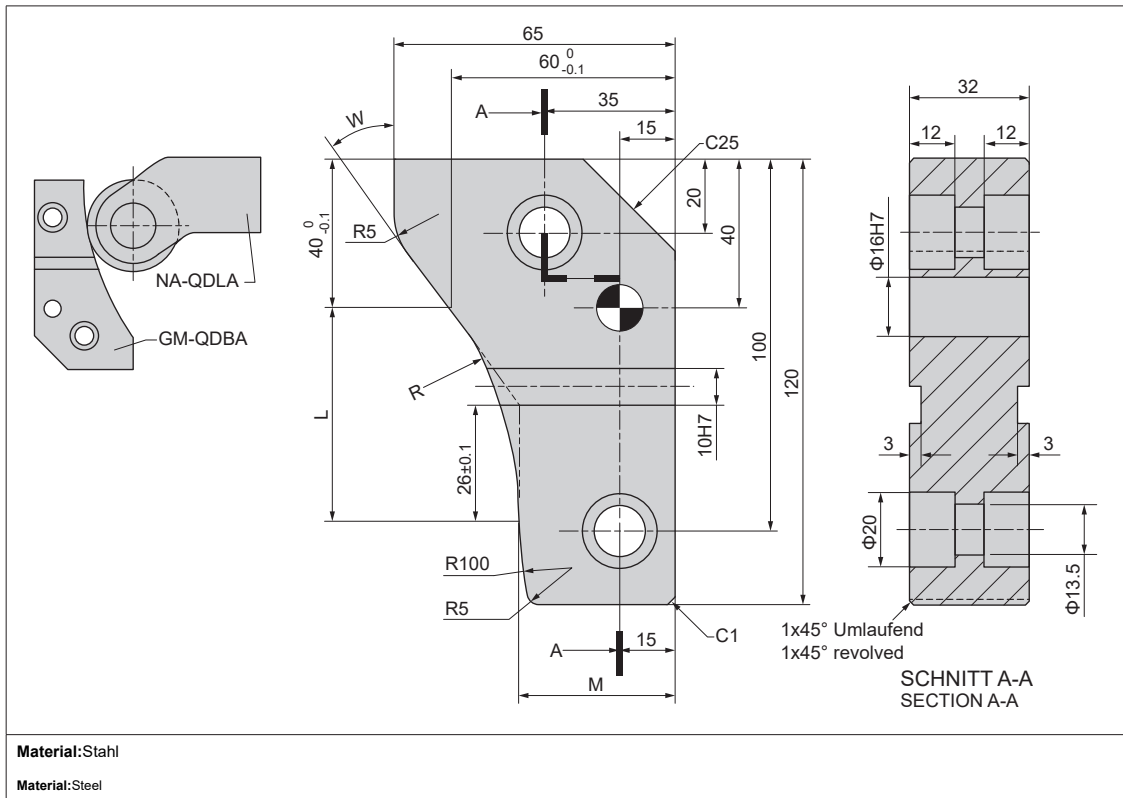
Bestellnummer / Order Number



Bestellnr. / Catalog No.

FN-QDLA-62



GM-QDBA


Bestell-Nr. Catalog No.	SCHIEBERWINKEL CAM ANGLE	W	L±0.01	R±0.1	M±0.1
GM-QDBA-10A	-10°	35.0°	57.36	100	41.91
5A	-5°	37.5°	60.87	100	39.33
0A	0°	37.5°	54.79	90	38.94
0B	0°	40.0°	57.85	90	38.94
5B	5°	42.5°	50.67	75	40.30
10B	10°	45.0°	53.03	75	38.04
15B	15°	47.5°	55.29	75	35.67
20B	20°	50.0°	49.79	65	36.78
25B	25°	52.5°	51.57	65	34.56

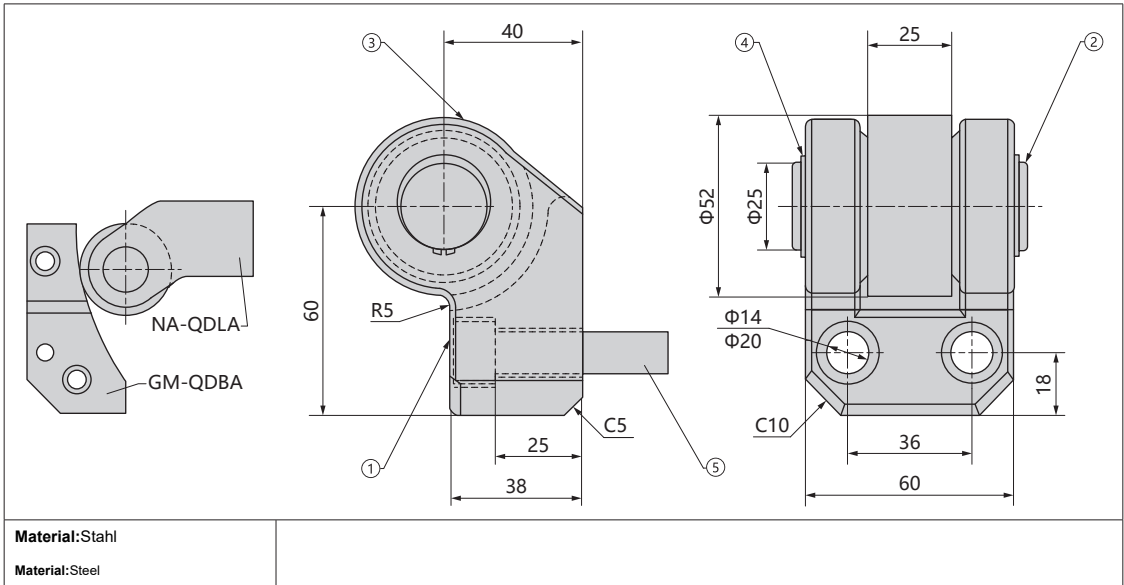
Bestellnummer / Order Number


Bestellnr. / Catalog No.

GM-QDBA




NA-QDLA



Bestellnummer / Order Number



Bestellnr. / Catalog No.

NA-QDLA-52

