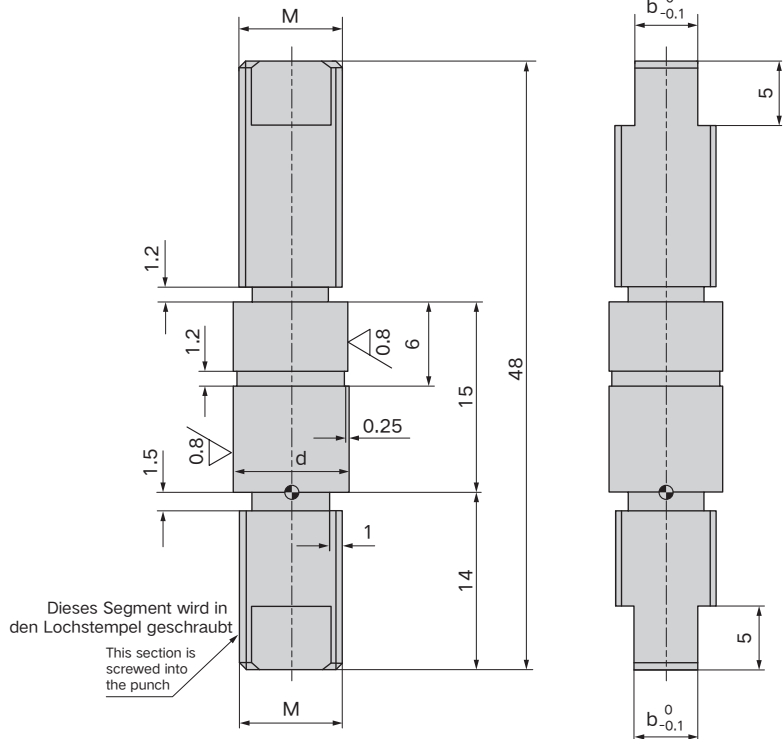
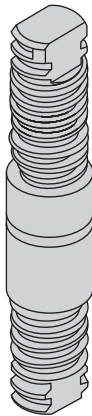




DM-LJGA

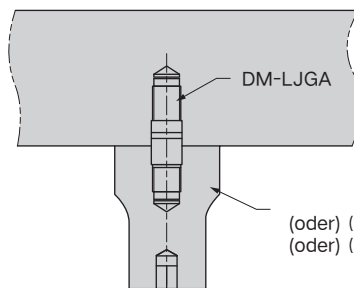


Material:40Cr
Härte:HRC28-32

Material:40Cr
hardness:HRC28-32

d(g5)		M	b
Φ9	-0.005 -0.011	M8X1	5
Φ13	-0.006 -0.014	M12X1.25	8
Φ15	-0.006 -0.014	M14X1.5	8

Montagebeispiel
Installation example



DM-PCTMWA.
Need not DM-PCTMWA.

Bestellnummer / Order Number



Bestellnr. / Catalog No.

d

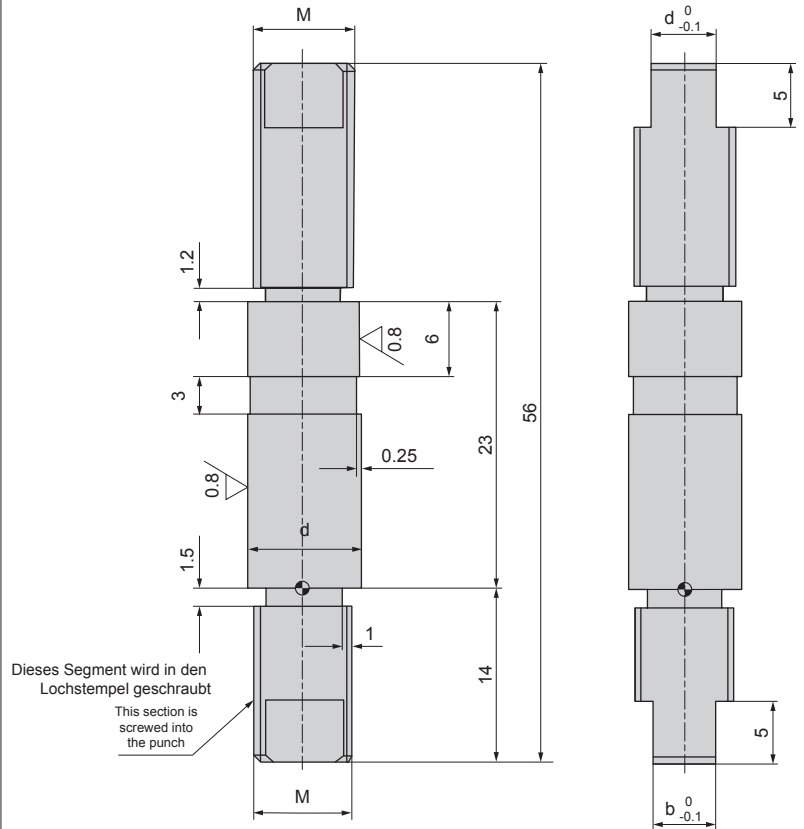
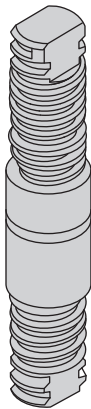
DM-LJGA

- 9





DM-LJGB

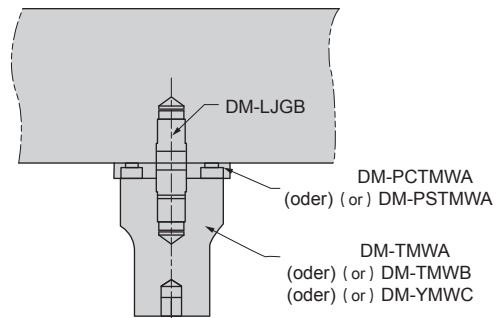


Material:40Cr
Härte:HRC28-32

Material:40Cr
hardness:HRC28-32

d(g5)		M	b
Φ9	-0.005 -0.011	M8X1	5
Φ13	-0.006 -0.014	M12X1.25	8
Φ15	-0.006 -0.014	M14X1.5	8

Montagebeispiel
Installation example



DM-LJG verwendet mit DM-PCTMWA
DM-LJGBused with DM-PCTMWA

Bestellnummer / Order Number



Bestellnr. / Catalog No.

d

DM-LJGB

9

