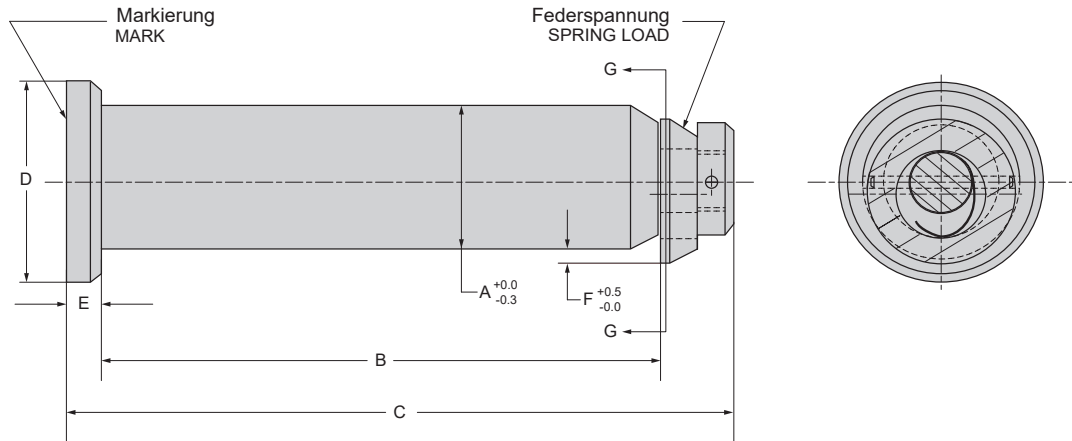


NA-QZB


Material: 42CrMo
 Zugfestigkeit:965 MPa
 Streckgrenze:860 MPa

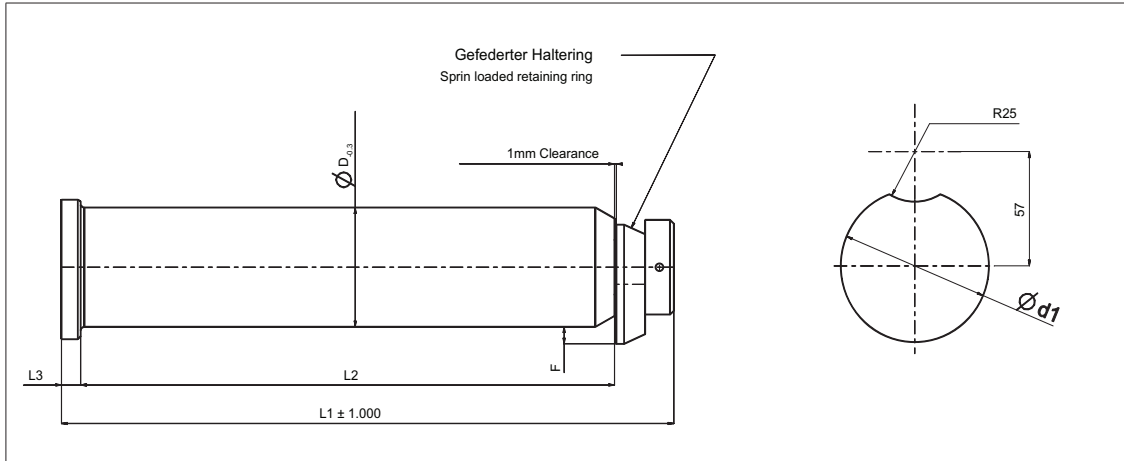
Material:42CrMo
 Tensile strength:965 MPa
 Yield strength:860 MPa

Bestell-Nr. Catalog No.	A(DIA)	B	C	D	E	F
NA-QZB3512	35	125	165	45	10	5.5
NA-QZB5019	50	190	230	63	10	5.5
NA-QZB6328	63	280	320	76	10	6.3
NA-QZB8032	80	320	370	89	15	6.3

Bestellnummer / Order Number

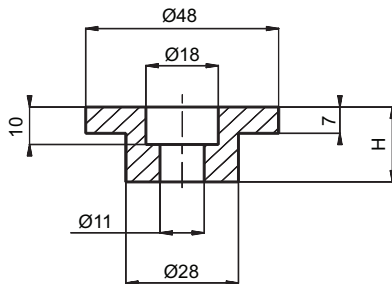

Bestellnr. / Catalog No.

NA-QZB5019


WDX22-80-06


Verdrehsicherung

Round lock key



Material Tragbolzen / Lift pin: 42CrMo4 1.7225

Material Verdrehsicherung / Lock key: C22 1.0402

Bestell-Nr. Catalog No.	$\varnothing D$	$\varnothing d1$	L1	L2	L3	F	G	H
WDX22-80-0663279	63	76	320	279	10	9	57	20
WDX22-80-0680319	80	100	370	319	15	10	69	25

Bestellnummer / Order Number


Bestellnr. / Catalog No.

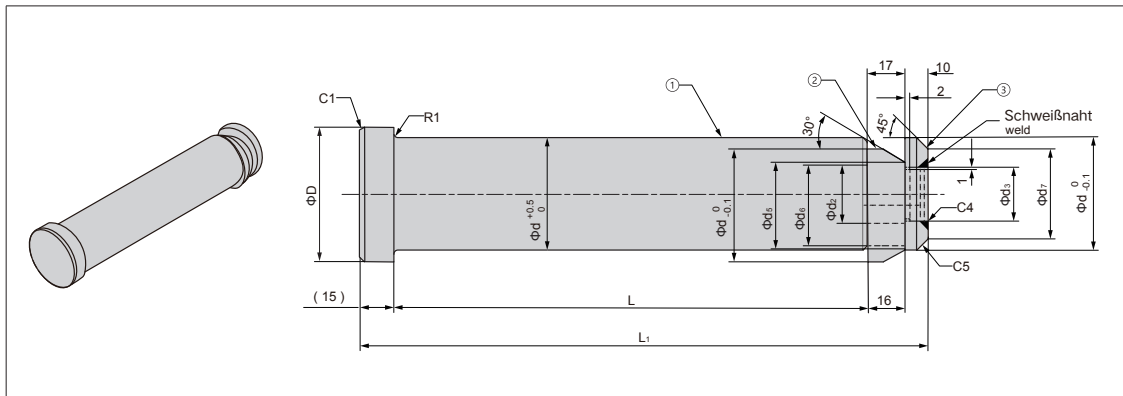
- d

- L2

WDX22-80-06

 - **63**


 - **297**


DM-QZB


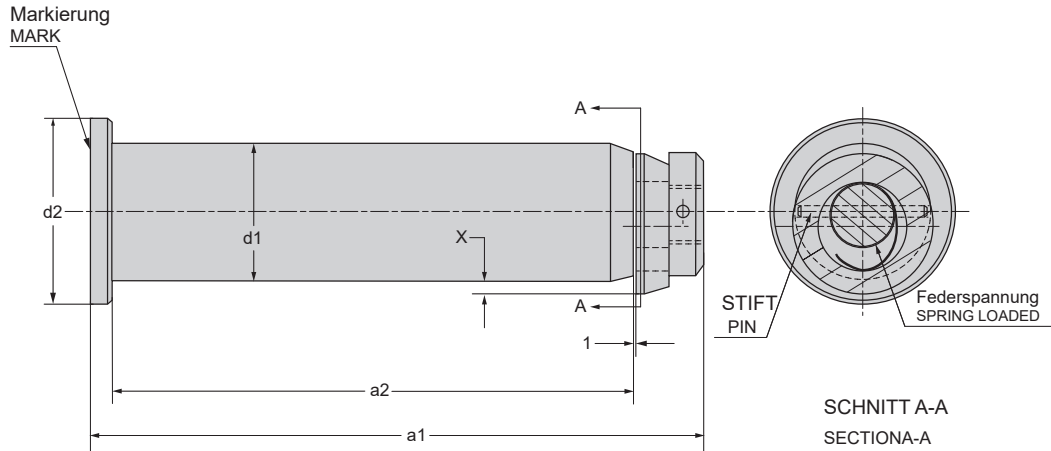
Bestell-Nr. Part Number	Beschreibung Description	Material	Wärmebehandlung Heat treatment
1	Tragbolzen Lift pin	C45	HRC28-32
2	Gefederter Sicherungsring Sprung retaining ring		
3	Sicherungsring Retaining ring		

Bestell-Nr. Catalog NO.	d	L	d ₂	d ₃	d ₅	d ₆	d ₇	D	L ₁	(Kg) Zulässige Belastung, wenn 4 Stück in Verwendung Allowable load While using four
DM-QZB	40	180	22	20	35	32	30	50	222	10000
	50	210	26	24	39	36	40	60	252	15000
	63	240	30	28	49	46	50	75	282	25000
	80	300	38	36	62	56	70	90	342	40000
	90	340	42	40	72	60	80	100	382	50000

Bestellnummer / Order Number

	Bestellnr. / Catalog No.	-	d	-	L
	DM-QZB	-	40	-	180



GM-QZB


Material: 42CrMo
 Zugfestigkeit: 965 MPa
 Streckgrenze: 860 MPa

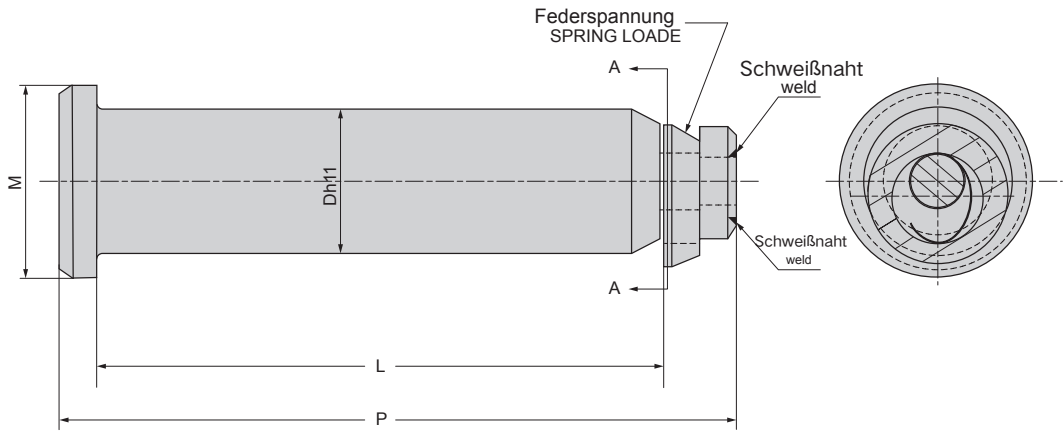
Material: 42CrMo
 Tensile strength: 965 MPa
 Yield strength: 860 MPa

Bestell-Nr. Catalog No.	d1	a2	d2	a1	x
GM-QZB32-155	32	155	40	177	4.0
GM-QZB40-188	40	188	50	220	5.5
GM-QZB80-230	50	230	60	270	5.5
GM-QZB63-295	63	295	75	342	6.3
GM-QZB80-335	80	335	89	387	6.3

Bestellnummer / Order Number


Bestellnr. / Catalog No.

GM-QZB40-188


E-QZB


Material: 42CrMo
 Zugfestigkeit: 965 MPa
 Streckgrenze: 860 MPa

Material: 42CrMo
 Tensile strength: 965 MPa
 Yield strength: 860 MPa

Bestell-Nr. Catalog No.	D	L	M	P	(Kg) Zulässige Belastung, wenn 4 Stück in Verwendung Allowable load While using four
E-QZB32-132	32	132	40 ± 0.8	154	6,300
E-QZB40-170	40	170	50 ± 0.8	197.76	10,000
E-QZB50-212	50	212	63 ± 1	247.60	16,000
E-QZB63-265	63	265	80 ± 1	309	25,000

Bestellnummer / Order Number


Bestellnr. / Catalog No.

E-QZB32-132
