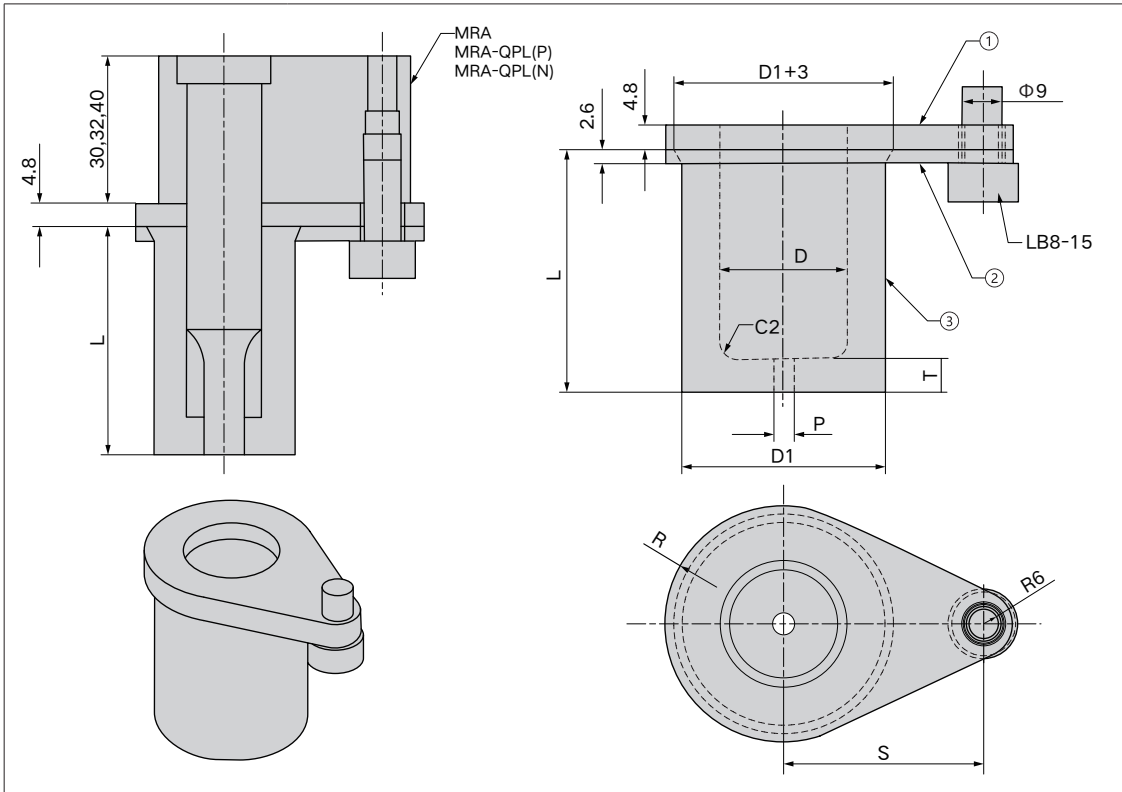




**SX-CTXL**



- Bauteile:**  
 1. Deckscheibe: SS400  
 2. Klemmplatte: SS400  
 3. Polyurethan, Shorehärte A95  
 4. Bolzen: LB8-15

- Component parts:**  
 1. Gasket: SS400  
 2. Fixed plate: SS400  
 3. Polyurethane Shore hardness A95  
 4. Bolt: LB8-15

Bestell-Nr. Catalog No.		L	① ②					③				
Typ Type	D		D	D1	S	R	W	D	D1	P	T	
SZ-CTXL	10	27 29 32 34 37 39 42 44 47 49 52 54	10	19	29	12	47	10	-0.2 -0.4	18	3.5	6
	13	27 29 32 34 37 39 42 44 47 49 52 54	13	24	32	14.5	52.5	13		23		
	16	37 39 42 44 47 49 52 54 57 59 62 64	16	29	34	17	57	16		28		
	20	48 50 53 55 58 60 63 65 68 70 73 75	20	34	36	19.5	61.5	20	33	4	7	
	25	48 50 53 55 58 60 63 65 68 70 73 75	25	41	39	23	68	25	40			
	32	48 50 53 55 58 60 63 65 68 70 73 75	32	51	42	28	76	32	-0.3 -0.5	50		5

**Bestellnummer / Order Number**

-   
**SX-CTXL25** - **70**

