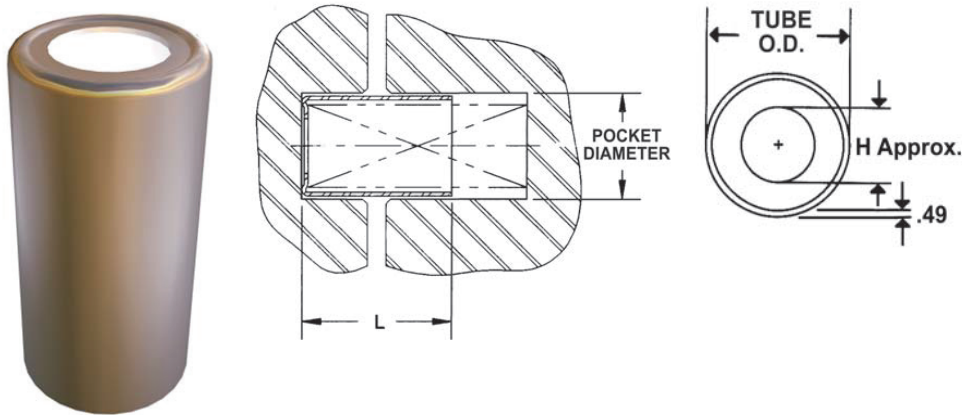


- Eine gehärtete Hülse um die Lebens-Dauer der Werkzeugfedern zu erhöhen / a hardened cage for enhance die spring life
- Material: A513 Rohrstaahl, phosphatiert / Material: A513 tube steel with phosphate finish
- Entspricht den NAAMS-Standard / Conforms to NAAMS standard

**LSC**


FederØ / Spring Diameter (mm)	TaschenØ / Pocket Diameter (mm)	AußenØ Hülse / Tube O.D. (mm)	InnenØ H / Diameter H (mm)
20	23,0	21,7	11,1
25	29,3	28	14,3
32	35,7	34,5	19,0
40	42,0	40,8	24,6
50	54,7	53,5	35,0

Länge / Length L (mm)	FederØ / Springdiam. 20 (mm)		FederØ / Springdiam. 25 (mm)		FederØ / Springdiam. 32 (mm)		FederØ / Springdiam. 40 (mm)		FederØ / Springdiam. 50 (mm)	
	Bestellnr. / Order No.	NAAMS Code	Bestellnr. / Order No.	NAAMS Code	Bestellnr. / Order No.	NAAMS Code	Bestellnr. / Order No.	NAAMS Code	Bestellnr. / Order No.	NAAMS Code
25	LSC0608	S212025	LSC0808	S212525	LSC1008	S213225	LSC1208	S214025	LSC1608	S215025
32	LSC0610	S212032	LSC0810	S212532	LSC1010	S213232	LSC1210	S214032	LSC1610	S215032
38	LSC0612	S212038	LSC0812	S212538	LSC1012	S213238	LSC1212	S214038	LSC1612	S215038
44	LSC0614	S212044	LSC0814	S212544	LSC1014	S213244	LSC1214	S214044	LSC1614	S215044
51	LSC0616	S212051	LSC0816	S212551	LSC1016	S213251	LSC1216	S214051	LSC1616	S215051
57	LSC0618	-	LSC0818	-	LSC1018	-	LSC1218	-	LSC1618	-
64	LSC0620	S212064	LSC0820	S212564	LSC1020	S213264	LSC1220	S214064	LSC1620	S215064
70	LSC0622	-	LSC0822	-	LSC1022	-	LSC1222	-	LSC1622	-
76	LSC0624	S212076	LSC0824	S212576	LSC1024	S213276	LSC1224	S214076	LSC1624	S215076
82	LSC0626	-	LSC0826	-	LSC1026	-	LSC1226	-	LSC1626	-
89	LSC0628	S212089	LSC0828	S212589	LSC1028	S213289	LSC1228	S214089	LSC1628	S215089
95	LSC0630	-	LSC0830	-	LSC1030	-	LSC1230	-	LSC1630	-
102	LSC0632	S212102	LSC0832	S212510	LSC1032	S213210	LSC1232	S214010	LSC1632	S215010
108	LSC0634	-	LSC0834	-	LSC1034	-	LSC1234	-	LSC1634	-
114	LSC0636	-	LSC0836	-	LSC1036	-	LSC1236	-	LSC1636	-
120	LSC0638	-	LSC0838	-	LSC1038	-	LSC1238	-	LSC1638	-
127	LSC0640	S212012	LSC0840	S212512	LSC1040	S213212	LSC1240	S214012	LSC1640	S215012
140	LSC0644	-	LSC0844	-	LSC1044	-	LSC1244	-	LSC1644	-
152	LSC0648	S212015	LSC0848	S212515	LSC1048	S213215	LSC1248	S214015	LSC1648	S215015
165	LSC0652	-	LSC0852	-	LSC1052	-	LSC1252	-	LSC1652	-
178	LSC0656	S212017	LSC0856	S212517	LSC1056	S213217	LSC1256	S214017	LSC1656	S215017
203	LSC0664	S212020	LSC0864	S212520	LSC1064	S213220	LSC1264	S214020	LSC1664	S215020
228	-	-	-	-	LSC1072	S213222	LSC1272	S214022	LSC1672	S215022
254	-	-	-	-	LSC1080	-	LSC1280	-	LSC1680	-
279	-	-	-	-	-	-	-	-	LSC1688	S215028
305	-	-	-	-	-	-	-	-	LSC1696	S215030





FederØ / Spring Diameter (mm)	TaschenØ / Pocket Diameter (mm)	AußenØ Hülse / Tube O.D. (mm)	InnenØ H / Diameter H (mm)
3/4	29/32	0.855	7/16
1	1-5/32	1.105	9/16
1-1/4	1-13/32	1.355	3/4
1-1/2	1-21/32	1.605	31/32
2	2-5/32	2.105	1-3/8

Länge / Length L (in)	FederØ 3/4* / Springdiam. 3/4*		FederØ 1* / Springdiam. 1*		FederØ 1-1/4* / Springdiam. 1-1/4*		FederØ 1-1/2* / Springdiam. 1-1/2*		FederØ 2* / Springdiam. 2*	
	Bestellnr. / Order No.	NAAMS Code	Bestellnr. / Order No.	NAAMS Code	Bestellnr. / Order No.	NAAMS Code	Bestellnr. / Order No.	NAAMS Code	Bestellnr. / Order No.	NAAMS Code
1	LSC0608	S212025	LSC0808	S212525	LSC1008	S213225	LSC1208	S214025	LSC1608	S215025
1-1/4	LSC0610	S212032	LSC0810	S212532	LSC1010	S213232	LSC1210	S214032	LSC1610	S215032
1-1/2	LSC0612	S212038	LSC0812	S212538	LSC1012	S213238	LSC1212	S214038	LSC1612	S215038
1-3/4	LSC0614	S212044	LSC0814	S212544	LSC1014	S213244	LSC1214	S214044	LSC1614	S215044
2	LSC0616	S212051	LSC0816	S212551	LSC1016	S213251	LSC1216	S214051	LSC1616	S215051
2-1/4	LSC0618	-	LSC0818	-	LSC1018	-	LSC1218	-	LSC1618	-
2-1/2	LSC0620	S212064	LSC0820	S212564	LSC1020	S213264	LSC1220	S214064	LSC1620	S215064
2-3/4	LSC0622	-	LSC0822	-	LSC1022	-	LSC1222	-	LSC1622	-
3	LSC0624	S212076	LSC0824	S212576	LSC1024	S213276	LSC1224	S214076	LSC1624	S215076
3-1/4	LSC0626	-	LSC0826	-	LSC1026	-	LSC1226	-	LSC1626	-
3-1/2	LSC0628	S212089	LSC0828	S212589	LSC1028	S213289	LSC1228	S214089	LSC1628	S215089
3-3/4	LSC0630	-	LSC0830	-	LSC1030	-	LSC1230	-	LSC1630	-
4	LSC0632	S212010	LSC0832	S212510	LSC1032	S213210	LSC1232	S214010	LSC1632	S215010
4-1/4	LSC0634	-	LSC0834	-	LSC1034	-	LSC1234	-	LSC1634	-
4-1/2	LSC0636	-	LSC0836	-	LSC1036	-	LSC1236	-	LSC1636	-
4-3/4	LSC0638	-	LSC0838	-	LSC1038	-	LSC1238	-	LSC1638	-
5	LSC0640	S212012	LSC0840	S212512	LSC1040	S213212	LSC1240	S214012	LSC1640	S215012
5-1/2	LSC0644	-	LSC0844	-	LSC1044	-	LSC1244	-	LSC1644	-
6	LSC0648	S212015	LSC0848	S212515	LSC1048	S213215	LSC1248	S214015	LSC1648	S215015
6-1/2	LSC0652	-	LSC0852	-	LSC1052	-	LSC1252	-	LSC1652	-
7	LSC0656	S212017	LSC0856	S212517	LSC1056	S213217	LSC1256	S214017	LSC1656	S215017
8	LSC0664	S212020	LSC0864	S212520	LSC1064	S213220	LSC1264	S214020	LSC1664	S215020
9	-	-	-	-	LSC1072	S213222	LSC1272	S214022	LSC1672	S215022
10	-	-	-	-	LSC1080	-	LSC1280	-	LSC1680	-
11	-	-	-	-	-	-	-	-	LSC1688	S215028
12	-	-	-	-	-	-	-	-	LSC1696	S215030

