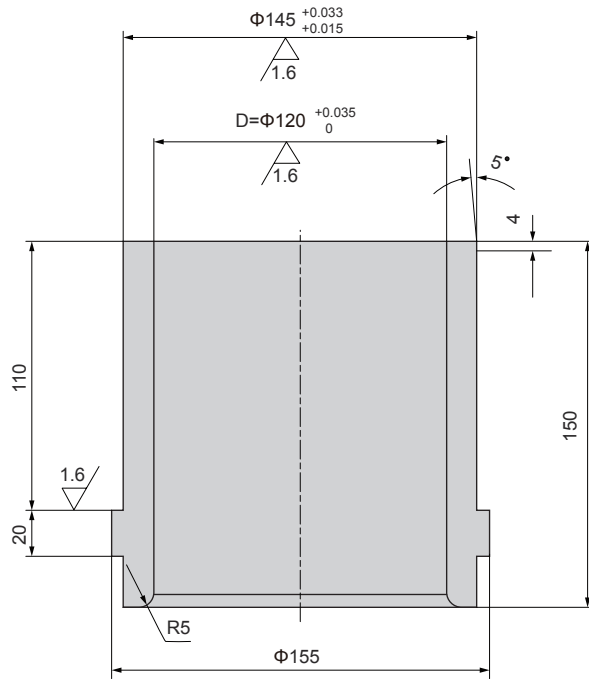
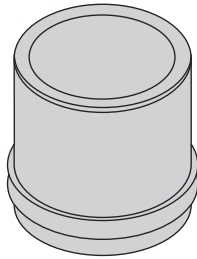
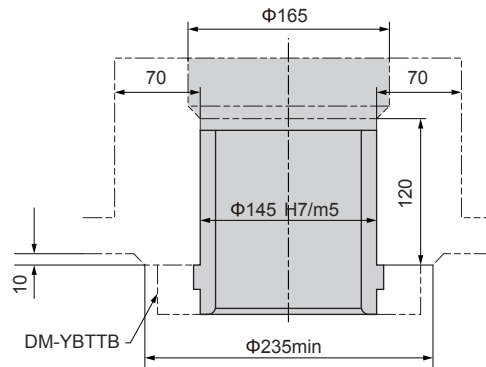


**DM-TTA**



Montageanleitung Führungsbuchse  
Guide bushing installation instruction



**Material:** Bronze+Graphit (Einsatz)

**Material:** Bronze+graphite(insert)

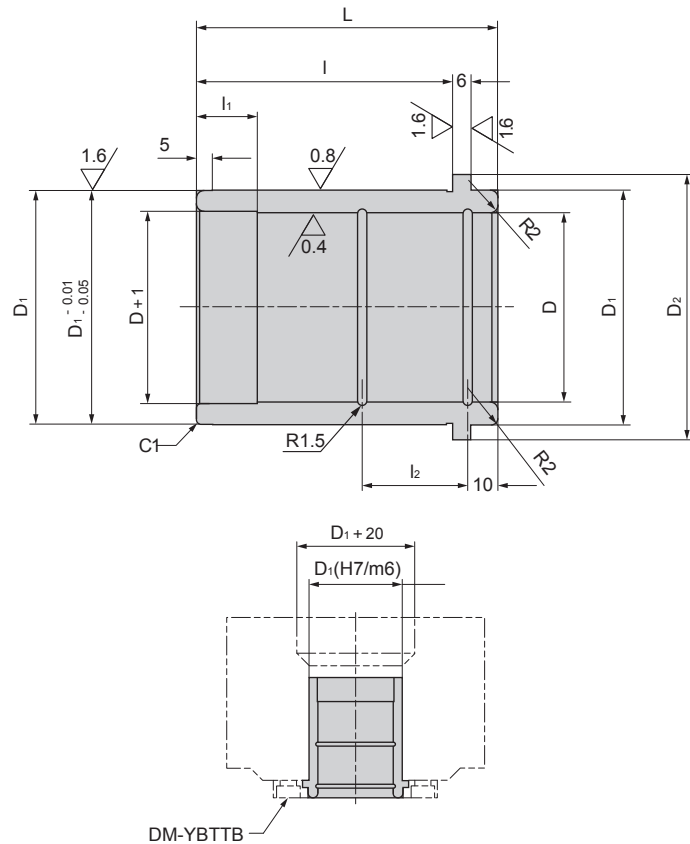
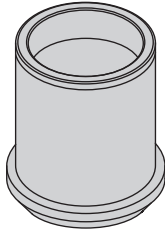
**Bestellnummer / Order Number**



Bestellnr. / Catalog No.

**DM-TTA**



**DM-TTB**

**Material:**

S: C22  
W : Bronze (HBsC4) +Graphit (Einsatz)

**Materia:**

S: C22  
W : Bronze(HBsC4) + graphite (insert)

Bestell-Nr. Catalog No.		$D_1(m6)$		$D_2$	$l$	$L$	$l_1$	$l_2$	
Typ Type	$D(H7)$								
S(Stahl) W(Bronze) S(Steel) W(Bronze)	63	+0.030 0	78	+0.030 +0.011	88	85	100	20	35
	80		100	+0.035 +0.013	108	108	125	25	40
	100	+0.035 0	125	+0.040 +0.015	133	142	160	40	45

**Bestellnummer / Order Number**


Bestellnr. / Catalog No.

- D

- S/W

DM-TTB

-

80

-

S

