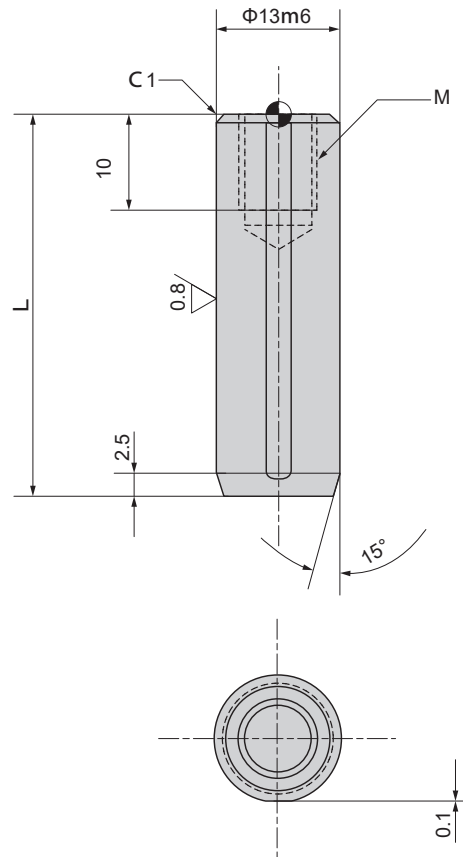


**DM-ZXNA**


**Material:** SUJ2  
**Härte:** HRC58 oder höher

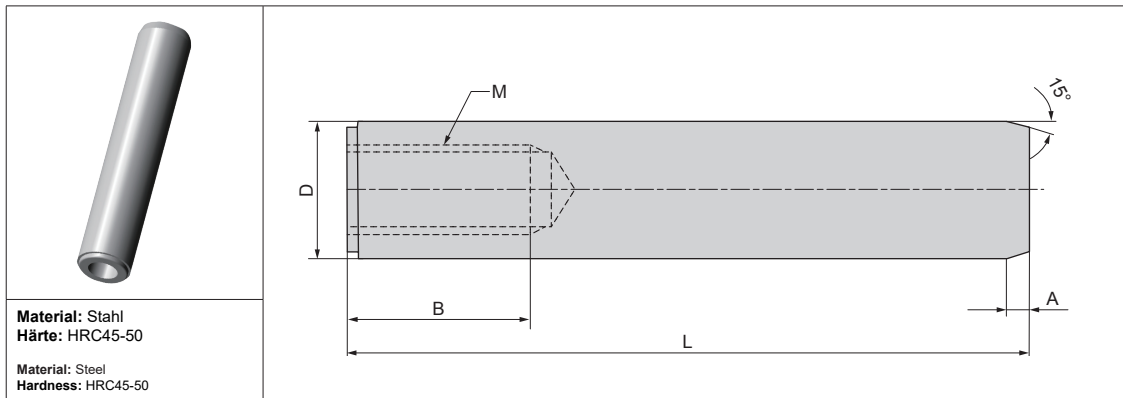
**Material:** SUJ2  
**Hardness:** HRC58 or more

| Bestell-Nr.<br>Catalog No. |    | Dm6              | L     | MXP      |
|----------------------------|----|------------------|-------|----------|
| Typ<br>Type                | D  |                  |       |          |
| DM-ZXNA                    | 13 | +0.018<br>+0.007 | 40 50 | 8 x 1.25 |

**Bestellnummer / Order Number**

|   |                          |   |           |
|---|--------------------------|---|-----------|
| ☎ | Bestellnr. / Catalog No. | - | L         |
|   | <b>DM-ZXNA13</b>         | - | <b>40</b> |



**KP-DWXA**


| Bestell-Nr.<br>Catalog No. | (Stift/Pin)            | (Bohrung/Hole)  | L  | A   | B  | M       |
|----------------------------|------------------------|-----------------|----|-----|----|---------|
|                            | $\Phi D$ p6            | $\Phi D$ H6     |    |     |    |         |
| KP-DWXA6-30                | $6^{+0.020}_{-0.012}$  | $6^{+0.012}_0$  | 30 | 2   | 8  | M4x0.7  |
| KP-DWXA8-30                | $8^{+0.024}_{-0.015}$  | $8^{+0.015}_0$  | 30 | 2   | 8  | M5x0.8  |
| KP-DWXA10-40               | $10^{+0.024}_{-0.015}$ | $10^{+0.015}_0$ | 40 | 2.5 | 10 | M6x1.0  |
| KP-DWXA13-50               | $13^{+0.029}_{-0.018}$ | $18^{+0.018}_0$ | 50 | 2.5 | 15 | M8x1.25 |
| KP-DWXA16-50               | $16^{+0.029}_{-0.018}$ | $16^{+0.018}_0$ | 60 | 3   | 15 | M8x1.25 |
| KP-DWXA20-80               | $20^{+0.035}_{-0.022}$ | $20^{+0.021}_0$ | 80 | 3   | 18 | M10x1.5 |

**Bestellnummer / Order Number**


Bestellnr. / Catalog No.

**KP-DWXA6-30**
