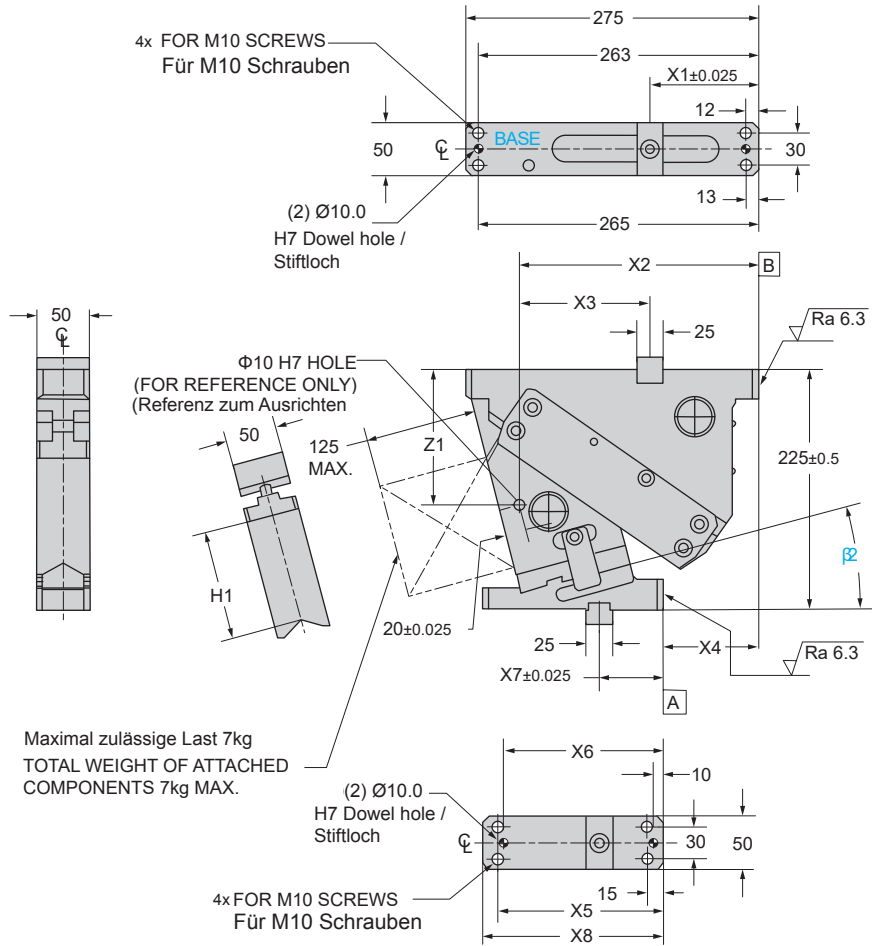


NLA05

SLIMCAM™ NLA SERIES

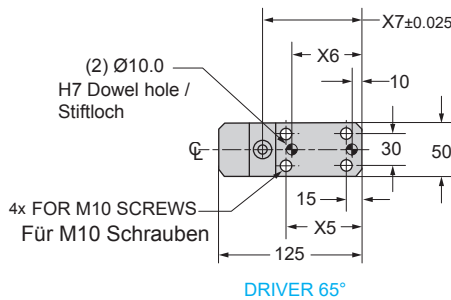


Maximal zulässige Last 7kg
TOTAL WEIGHT OF ATTACHED
COMPONENTS 7kg MAX.

Winkel / CAM ANGLE	H1	X8
0° TO 60°	102	170
65° TO 75°	115	125

DRIVER 0° TO 60°, 75°&75°

Treiber



DRIVER 65°

0°-75°oben hängende Schieber möglich
Arbeitswinkel in 5° - Schritten von 0° - 75° /
0°-75°Aerial Cam
Aerial configuration offered in 5° increments from
0° to 75° work angles



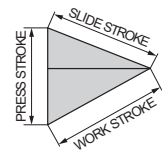
SLIMCAM™ NLA SERIES

ABMESSUNGEN & GEWICHT / DIMENSIONS AND WEIGHTS

Bestellnummer / CAM PARTNUMBER	CAM Winkel / CAM ANGLE	WT. / (KG)	X1	X2	X3	X4	X5	X6	X7	Z1
NLA050006_	0	20	102.6	238.6	136.0	122.0	155	150	70	120.0
NLA050506_	5	20	104.9	235.4	130.5	110.0	155	150	70	118.2
NLA051006_	10	20	105.9	231.4	125.5	102.0	155	150	60	127.0
NLA051506_	15	18	101.8	223.9	122.1	89.0	155	150	60	126.7
NLA052006_	20	18	107.0	224.8	117.8	81.0	155	150	60	126.7
NLA052506_	25	18	109.4	224.7	115.3	75.0	155	150	70	127.7
NLA053006_	30	18	102.9	218.9	116.0	60.0	155	150	70	124.1
NLA053506_	35	18	107.6	217.4	109.8	53.0	155	150	70	130.9
NLA054006_	40	18	92.9	202.7	109.8	37.0	155	150	70	131.2
NLA054506_	45	18	93.7	199.8	106.1	35.0	155	150	70	136.7
NLA055006_	50	18	93.4	198.1	104.7	28.8	155	150	70	139.8
NLA055506_	55	18	93.7	193.5	99.8	20.0	155	150	70	145.9
NLA056006_	60	18	89.4	191.0	101.6	18.0	155	150	70	148.5
NLA056506_	65	18	93.7	186.1	92.4	6.0	58	48	82	160.7
NLA057006_	70	32.5	89.4	182.4	93.0	-1.0	65	55	35	162.6
NLA057506_	75	33.8	89.4	182.1	92.7	-8.0	65	55	35	177.1

Bestellzusatz für die Feder
 SlimCam™ NUR mit Gasdruckfeder erhältlich /
 Specify spring type (D, K, P, U)
 SlimCam™ available with Nitrogen ONLY.

Winkel / CAM ANGLE	Hub / PRESS STROKE	Arbeitsweg / WORK STROKE	Gleitweg / SLIDE STROKE
0	34.5	28.9	45
5	34.6	31.9	45
10	35.0	35.0	45
15	35.7	38.2	45
20	36.7	41.5	45
25	38.0	45.0	45
30	39.8	48.8	45
35	42.1	53.1	45
40	45.0	57.9	45
45	48.8	63.4	45
50	53.6	70.0	45
55	67.9	78.2	45
60	77.9	90.0	45
65	33.3	35.3	15
70	41.2	43.8	15
75	56.0	58.0	15



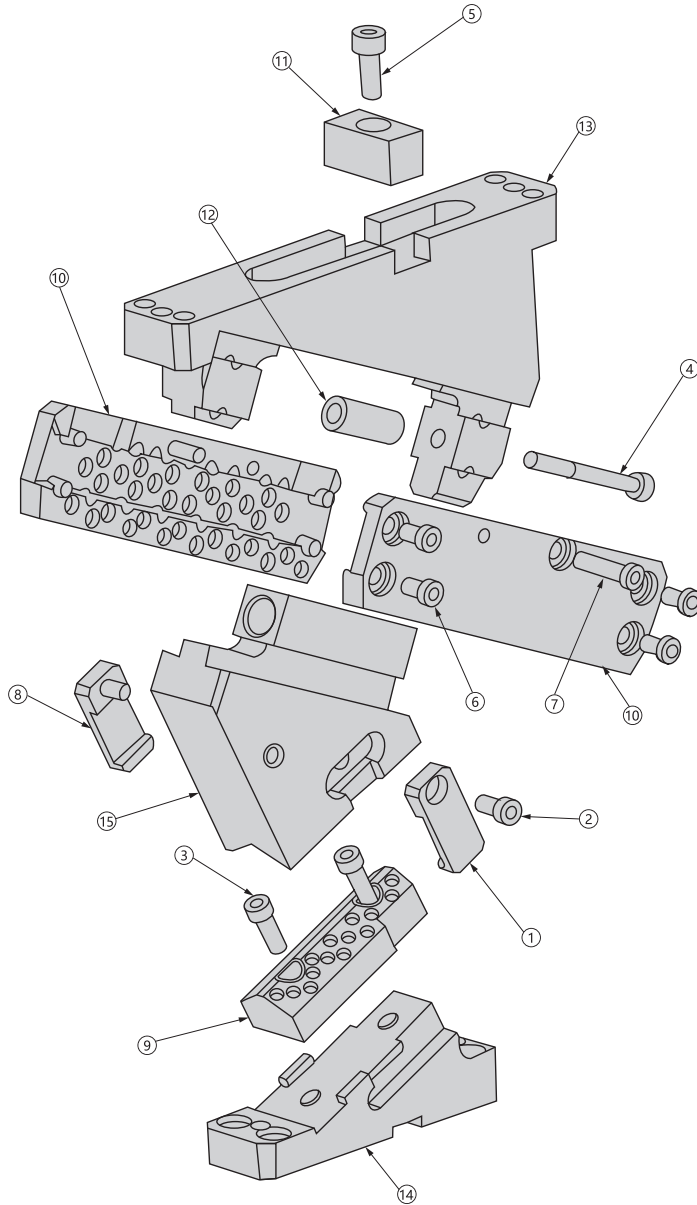
Schieber-Schema /
CAM DIAGRAM

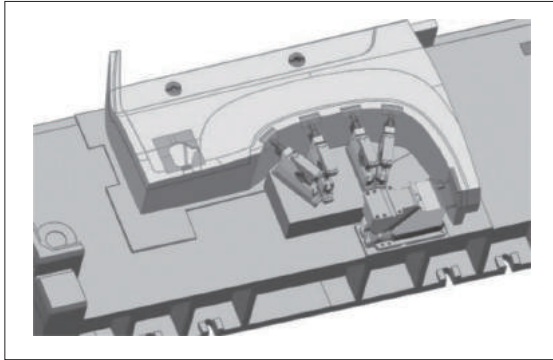


NLA05

SLIMCAM NLA SERIES

Explosionsdarstellung / COMPONENT PARTS



SLIMCAM™ NLA SERIES


Ersatzteile / REPLACEMENT PARTS	
Nummer / NUMBER	Beschreibung / DESCRIPTION
1	Zwangsrückführung / RH Positive Return Bracket
2	M8 x1.25 x 16 SHCS
3	M8 x 1.25 x 25 SHCS
4	M8 x 1.25 x 80 SHCS
5	M10 x 1.5 x 25 SHCS
6	LHCS M8 x 1.25 x 16
7	LHCS M8 x 1.25 x 40
8	Zwangsrückführung / LH Positive Return Bracket
9	V-Block NLA/NLD 50 CAM / V-Block NLA / NLD 50 CAM
10	NLA Halteplatte / NLA Keeper Plate
11	25 x 25 x 50 mm Passfeder / Key
12	Distanzhülse / Lockout Spacer
13	Aufnahme / Body
14	Treiber / Driver
15	Schieber / Slide

Eigenschaften / SPECIFICATIONS		
Werkzeugaufnahme / Tooling Allowance		
Größe & Gewicht / Size & Weight	Abstand / Protrusion	Gewicht / Weight
	125 mm	4 kg
Nennleistung in kN / Rated Capacity - kN		
Hübe / Cycles	300,000	1,000,000
Arbeitskraft / Working force	61 kN	53 kN

Federauswahl / SPRING KIT OPTIONS					
Anbieter / VENDOR	Suffix	Bestell-Nr. / Order No.	Anzahl / QTY	Anfangskraft (N) / INITIAL LOAD (N)	Endkraft (N) / FINAL LOAD (N)
Dadco 0° - 60°	D	C.090.050	1	890	1109
Dadco 65° - 75°	D	C.090.025	1	890	1025
Dadco Ultra 0° - 60°	U	CLNA0050-0048	1	1700	2550
Dadco Ultra 65° - 75°	U	CLNA0050-0049	1	1700	2186
Kaller 0° - 60°	K	R19-050Y	1	900	1161
Kaller 65° - 75°	K	R19-025Y	1	900	1059
Kaller Powerline 0° - 60°	P	CLNA0050-0019	1	1700	2550
Kaller Powerline 65° - 75°	P	CLNA0050-0021	1	1700	2186

