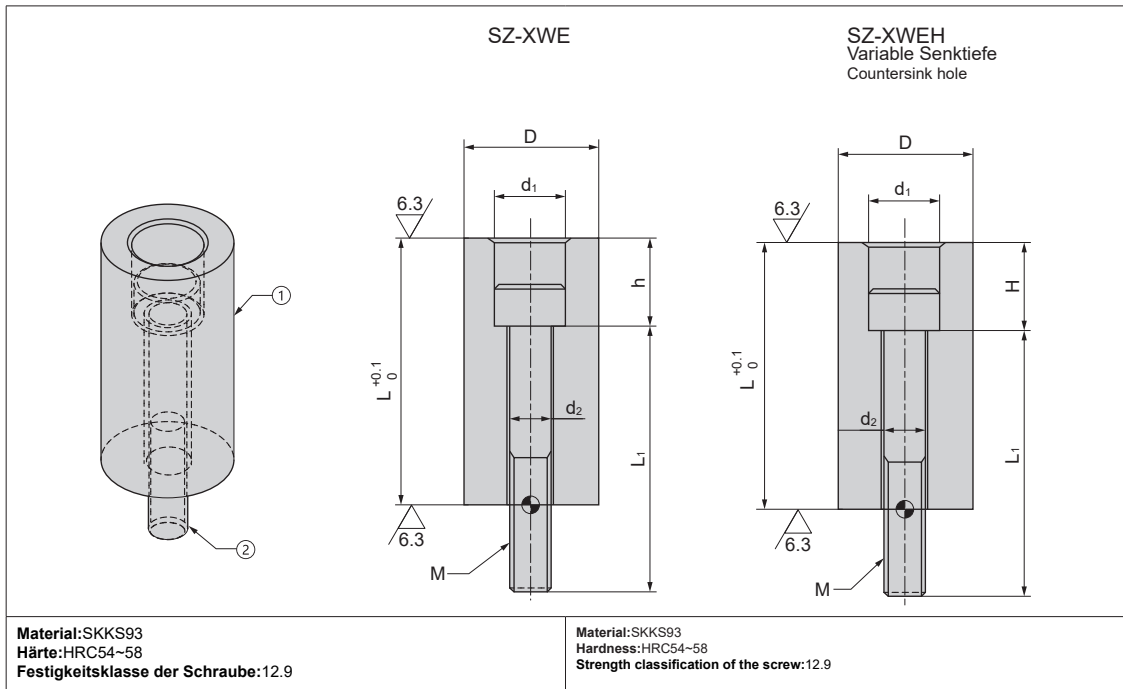


**SZ-XWE(H)**




**Material:**SKKS93  
**Härte:**HRC54-58  
**Festigkeitsklasse der Schraube:**12.9

**Material:**SKKS93  
**Hardness:**HRC54-58  
**Strength classification of the screw:**12.9

Bestell-Nr. Catalog No.		①		②		d <sub>1</sub>	d <sub>2</sub>	h	MXP
Typ Type	D	Maß in 0,01 mm Schritten 0.01 mm Dimensions span	Farbe Color	Maß in 5 mm Schritten 5mm Dimensions span					
SZ-XWE	10	10.0-40.0	R(Rot/Red) Y(Gelb/Yellow) N(Normal)	10-40	6	4	5	3X0.5	
	12			10-50	8	5	8	4X0.7	
	14			15-70	9.5	6	10	5X0.8	
	16	15.0-50.0		15-80	11	7	13	6X1.0	
	18			15-90	14	9	15	8X1.25	
	20	20.0-80.0		20-100	17	11	18	10.X1.5	
	25	22.0-90.0			20	13	21	12X1.75	
	32	22.0-100.0							
	38	25.0-100.0							
50									
60	30.0-150.0								

Bestell-Nr. Catalog No.		①		②		d <sub>1</sub>	d <sub>2</sub>	MXP
Typ Type	D	Maß in 0,01 mm Schritten 0.01 mm Dimensions span	Farbe Color	Maß in 0,01 mm Schritten 1mm Dimensions span	Maß in 5 mm Schritten 5mm Dimensions span			
SZ -XWEH	20	15.0-80.0	R(Rot/Red) Y(Gelb/Yellow) N(Normal)	10-40	15-85	11	7	6x1.0
	25	15.0-90.0		10-40	15-100	14	9	8x1.25
	32			15-40	20-115	17	11	10x1.5
	38	20.0-100.0						
	50							

**Bestellnummer / Order Number**


Bestellnr. / Catalog No. - 
 L - 
 H - 
 Color - 
 L<sub>1</sub>  
**SZ-XWE38** - **100** - - **Y** - **100**  
**SZ-XWEH32** - **80** - **40** - **Y** - **60**

