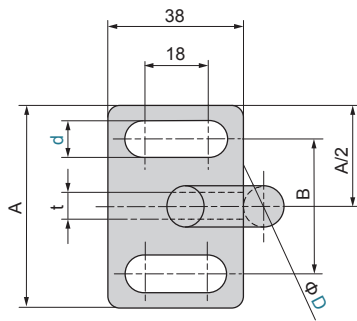
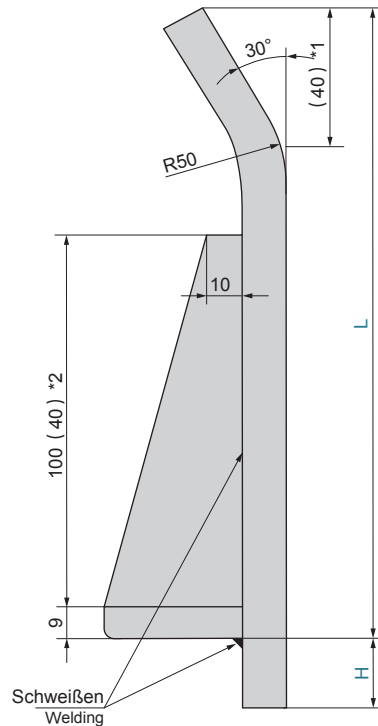


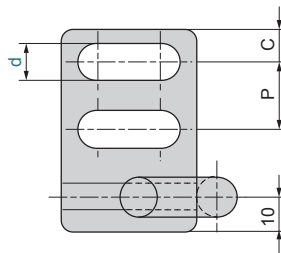
SZ-DLKA

Material: Q235
2 Schrauben M10x30 (M12x30) und Federringe im Lieferumfang enthalten

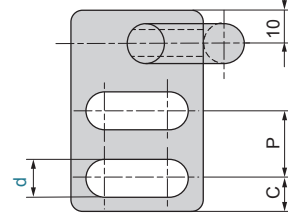
Material: Q235
2 screws M10x30 (M12x30) and split washers included



Symmetrischer Typ
Symmetrical Type




R-Typ
R Type



L-Typ
L Type

Bestell-Nr. Catalog No.	D	L 5mm-Schritte / 5mm increments	H 5mm-Schritte / 5mm increments	d	A	B	P	C	t
SZ-DLKA	10	65-200	0-80	11 13	60	40	20	10	6
	12								9
	16			13	75	50	25	12.5	16
	20								

Bestellnummer / Order Number


Bestellnr. / Catalog No. -
 D -
 L -
 H -
 d -
 Type
 SZ-DLKA - 10 - 100 - 30 - 11 -
 - R
 - L

