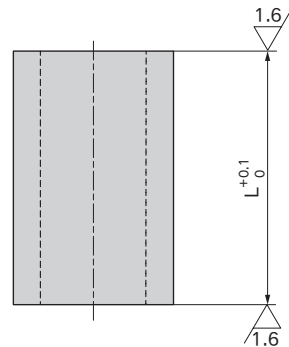
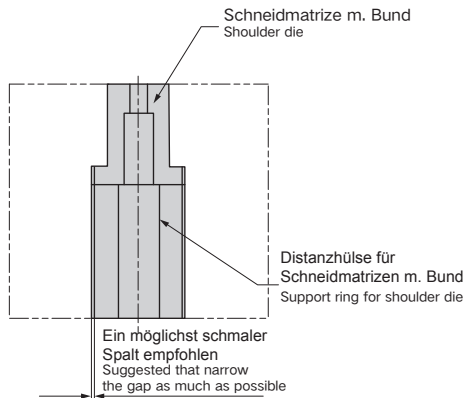
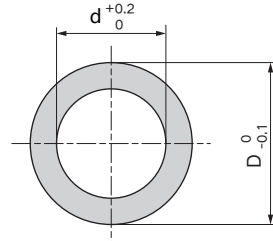
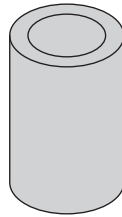




SZ-HAMS

Material: SKS3  
Härte: HRC58-60

Material: SKS3  
Hardness: HRC58-60



Bestell-Nr. Catalog No.		L Dimensions span 0.1mm	D <sub>-0.1</sub> <sup>0</sup>	d <sub>0</sub> <sup>+0.2</sup>
Typ Type	Nr. No.			
SZ-HAMS	8	10.0-60.0	11	5.4
	10		13	7.8
	13		16	10
	16		19	12.4
	20		23	14.6
	22		25	16.8
	25		28	18.8
	32		35	23

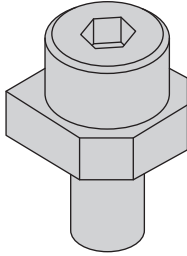
Bestellnummer / Order Number

☎  -   
**SZ-HAMS8 - 40.5**

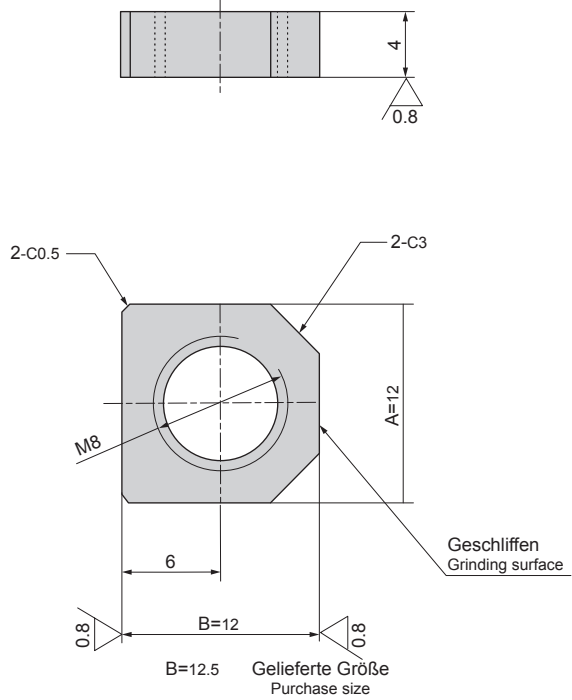




DM-FZJSA



**Material:** C45  
**Wärmebehandlung:** HRC40~45  
**Befestigung:** Innensechskantschraube GB70 (M6×16)  
**Material:** C45  
**Heat treatment:** HRC40~45  
**Attachment:** Hexagon socket head bolt GB70(M6×16)



Bestell-Nr. Catalog No.		B
Typ Type	A	
DM-FZJSA	12	12

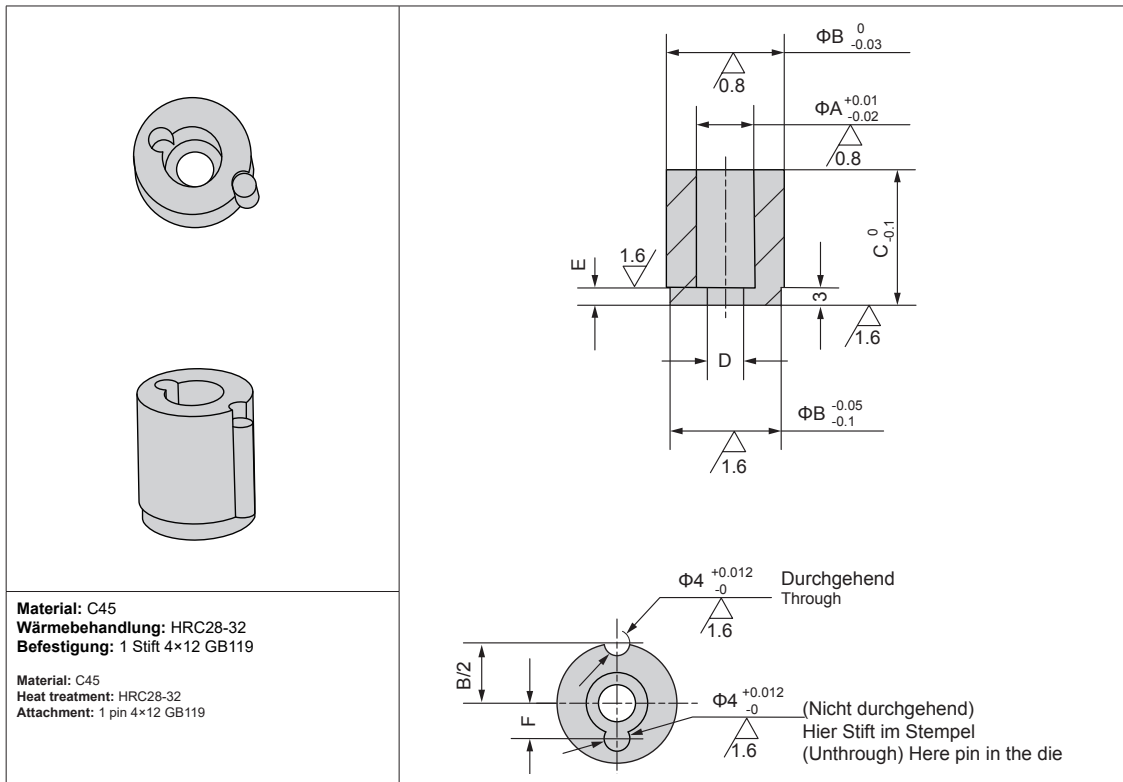
Bestellnummer / Order Number



Bestellnr. / Catalog No.


DM-FZJSA



**DM-XTAMB**


Bestell-Nr. Catalog No.	A	B	C	B	E	F
DN-XTAMB	10	20	19 23 28 33 38	6	3	6
	13	23	19 23 28 33 38	9		7.5
	16	24	19 23 28 33 38	11		8
	20	28	19 23 28 33 38	14		10
	22	30	19 23 28 33 38	16		11
	25	33	19 23 28 33 38	17.5		12.5

**Bestellnummer / Order Number**


 Bestellnr. / Catalog No. -  -   
**DM-XTAMB - 10 - 23**

