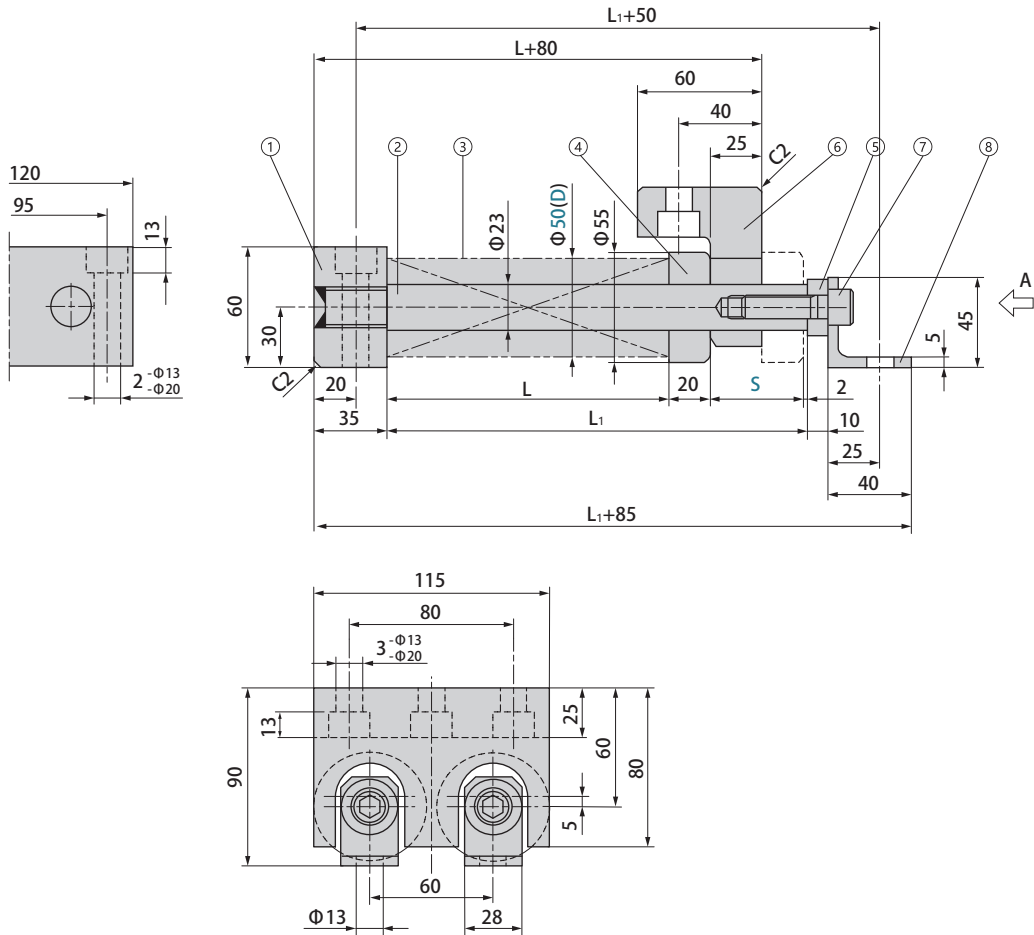




SX-FHTHCL50

SX-FHTHCM50



Stückliste

Table of Components

Nr. No.	Beschreibung Description	Menge Qty	Material und Bemerkung Material and Remark
①	Federblock Spring Block	1	Q235
②	Federführungsstift Spring Guide Pin	2	C45 HRC55
③	Feder Spring	2(4)	
④	Gleitplatte Slide Plate	2	Q235
⑤	Scheibe Washer	2	Q235
⑥	Rückführungsplatte Return Plate	1	Q235
⑦	Innensechskantschraube Hexagon Socket Head Bolt	1	M12x40
⑧	Winkel Angle	2	Q235





Bestell-Nr. Catalog No.	D	S	Feder Spring			L	L ₁
			Menge/Qty	Anfangskraft Initial load N(kgf)	Endkraft Final load N(kgf)		
SX-FHTHCL	50	20	TL50-100(2)	2040(208.0)	5400 (550.6)	68	110
		25	TL50-125(2)	2040(208.0)		85	132
		30	TL50-150(2)	2160(220.2)		102	154
		35	TL50-150(2)	1456(148.4)		102	159
		40	TL50-175(2)	1536(156.6)		119	181
		45	TL50-200(2)	1596(162.8)		136	203
		50	TL50-250(2)	2040(208.0)		170	242
		55	TL50-250(2)	1700(173.4)		170	247
		60	TL50-300(2)	2020(206.0)		204	286
		65	TL50-300(2)	1736(177.0)		204	291
		70	TL50-300(2)	1456(148.4)		204	296
SX-FHTHCM	50	20	TM50-125(2)	2940(299.8)	7840 (800.0)	93	135
		25	TM50-150(2)	2857(291.4)		111	158
		30	TM50-200(2)	3215(327.8)		149	201
		35	TM50-225(2)	2993(305.2)		168	225
		40	TM50-250(2)	2940(299.8)		186	248
		45	TM50-300(2)	3160(322.2)		224	291
		50	TM50-350(2)	3409(347.6)		261	333
		55	TM50-350(2)	2972(303.0)		261	338
		60	TM50-200(4)	3980(405.8)		298	380
		65	TM50-200(4)	3597(366.8)		298	385
		70	TM50-225(4)	3809(388.4)		334	426

Bestellnummer / Order Number

	Bestellnr. / Catalog No.	-	D	-	S
	SX-FHTHCL	-	50	-	40
	SX-FHTHCM	-	50	-	50



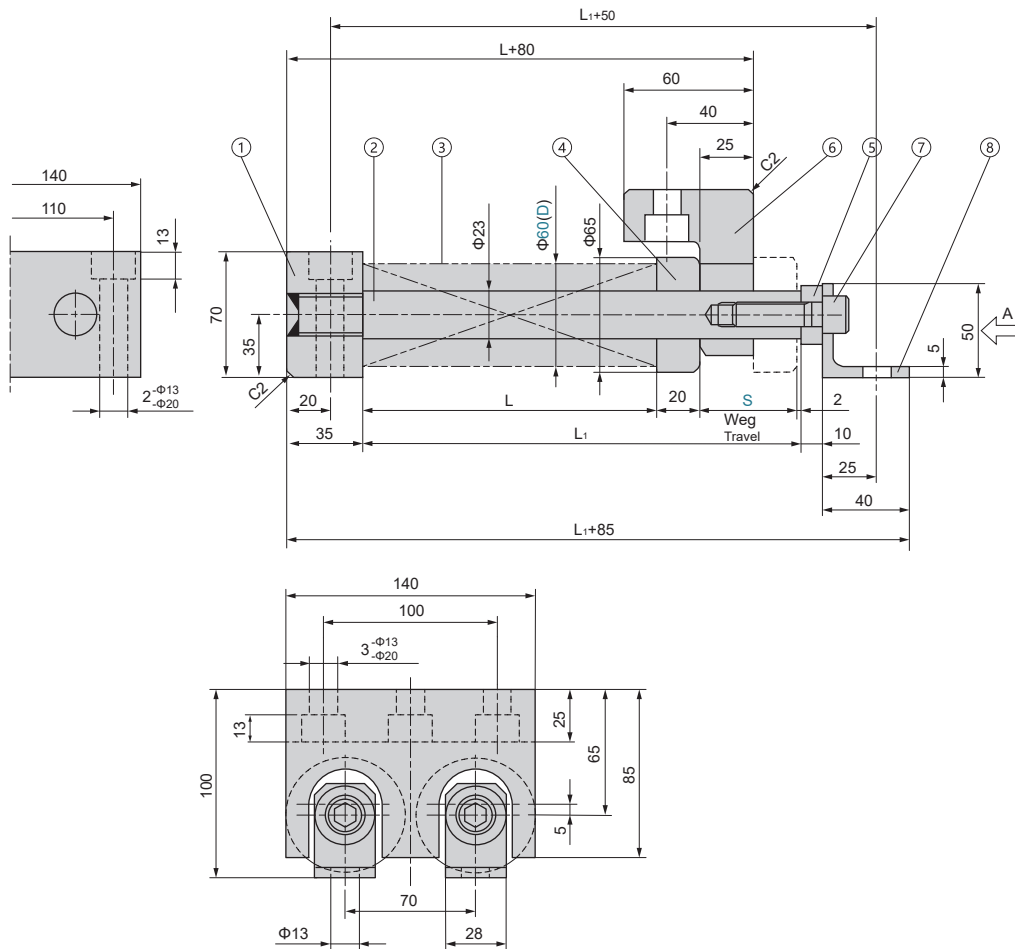
SX-FHTHCL60
SX-FHTHCM60

Stückliste

Table of Components

Nr. No.	Beschreibung Description	Menge Qty	Material und Bemerkung Material and Remark
①	Federblock / Spring Block	1	Q235
②	Federführungsstift / Spring Guide Pin	2	C 45HRC55
③	Feder / Spring	2	
④	Gleitplatte / Slide Plate	2	Q235
⑤	Scheibe / Washer	2	Q235
⑥	Rückführungsplatte / Return Plate	1	Q235
⑦	Innensechskantschraube / Hexagon Socket Head Bolt	2	M12x40
⑧	Winkel / Angle	2	Q235



Bestell-Nr. Catalog No.	D	S	Feder Spring			L	L ₁
			Menge/Gty	Anfangskraft Initial load N(kgf)	Endkraft Final load N(kgf)		
SX-FHTHCL	60	20	TL60-100(2)	2928(298.6)	7780 (793.4)	68	110
		25	TL60-125(2)	2910(296.8)		85	132
		30	TL60-150(2)	2916(297.4)		102	154
		35	TL60-150(2)	2106(214.8)		102	159
		40	TL60-175(2)	2208(225.2)		119	181
		45	TL60-200(2)	2318(236.4)		136	203
		50	TL60-250(2)	2940(299.8)		170	242
		55	TL60-250(2)	2450(249.8)		170	247
		60	TL60-300(2)	2952(301.0)		204	286
		65	TL60-300(2)	2542(259.2)		204	291
		70	TL60-300(2)	2132(217.4)		204	296
SX-FHTHCM	60	20	TM60-125(2)	4231 (431.4)	11280 (1150.0)	93	135
		25	TM60-150(2)	4113(419.4)		111	158
		30	TM60-200(2)	4626(471.8)		149	201
		35	TM60-225(2)	4308(439.2)		168	225
		40	TM60-250(2)	4229(431.2)		186	248
		45	TM60-300(2)	4551 (464.0)		224	291
		50	TM60-350(2)	4907(500.4)		261	333
		55	TM60-350(2)	4278(436.2)		261	338
		60	TM60-200(4)	5728(584.2)		298	380
		65	TM60-200(4)	5177(528.0)		298	385
		70	TM60-225(4)	5483(559.2)		334	426

Bestellnummer / Order Number


Bestellnr. / Catalog No.

- D -

S

SX-FHTHCL - 60 - 55
SX-FHTHCM - 60 - 60
