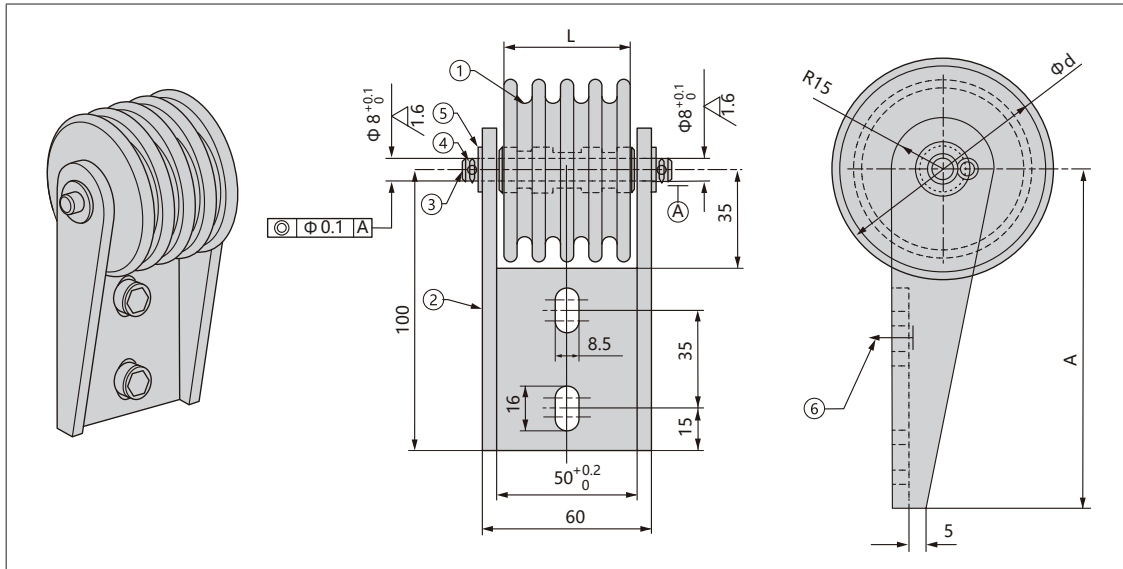



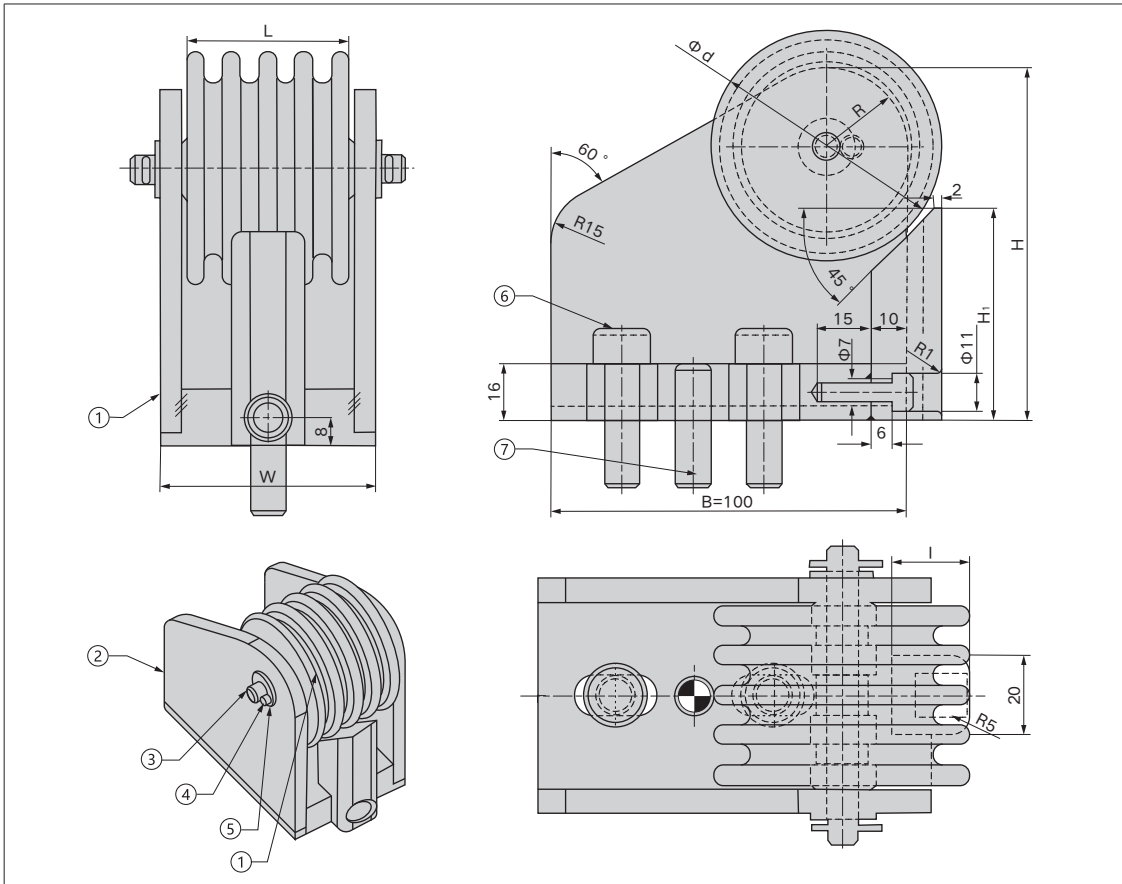
DM-GLB


Teilenummer Part Number	Beschreibung Description	Menge Quantity	Standardnummer Standard number	Spezifikation Specification
1	Rolle Roller	1	DM-GLBA	d65
2	Rollenhalter Roller holder	1	GB707	(6.3) U-Stahl/steel 6.3
3	Welle Pin shaft	1	DM-GLBXZ	L76
4	Splint Locking steel wire	2	GB9972	$\phi 2.8 \times 20$
5	Scheibe Washer	2	GB97.1	8
6	Schraube Screw	2	GB70	M8X25

Bestellnummer / Order Number


	Bestellnr. / Catalog No.	-	d
	DM-GLB	-	65



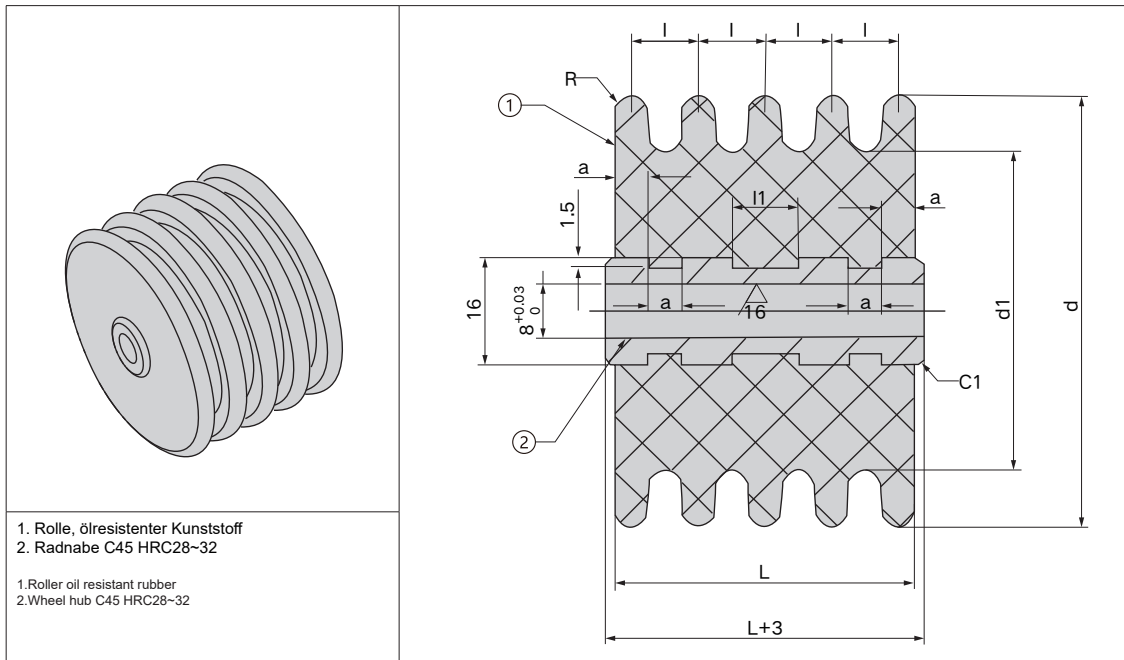
DM-GLC


Bestell-Nr. Catalog No.	Teilenummer Part number	Beschreibung Description	Menge Quantity	Standardnummer Standard number	Spezifikation Specification	
DM-GLC	1	Rolle Roller	1	DM-GLBA	d65	
	2	Rollenhalter Roller holder	1	DM-GLCDZ	H	100,150
	3	Welle Pin shaft	1	DM-GLBXZ	L76	
	4	Splint locking steel wire	2	GB9972	Φ2.8X20	
	5	Scheibe Washer	2	GB97.1	8	
	6	Schraube Screw	2	GB70	M10X25	
	7	Stift Pin	1	GB120	10X40	

Bestellnummer / Order Number


	Bestellnr. / Catalog No.	-	H
	DM-GLC	-	100



DM-GLBA


Bestell-Nr. Catalog No.	d	L	d1	l	l1	a	R
DM-GLBA	65	45	48	10	10	5	2.4

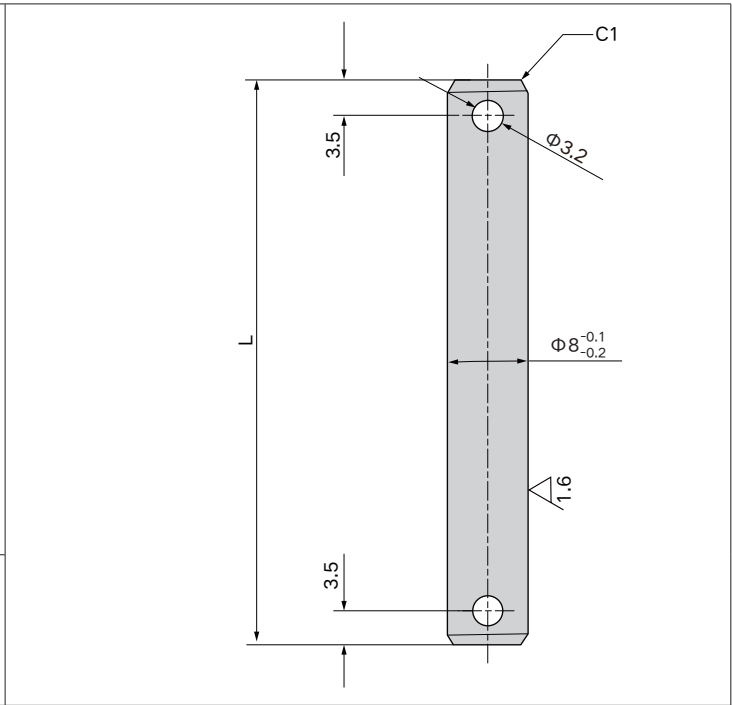
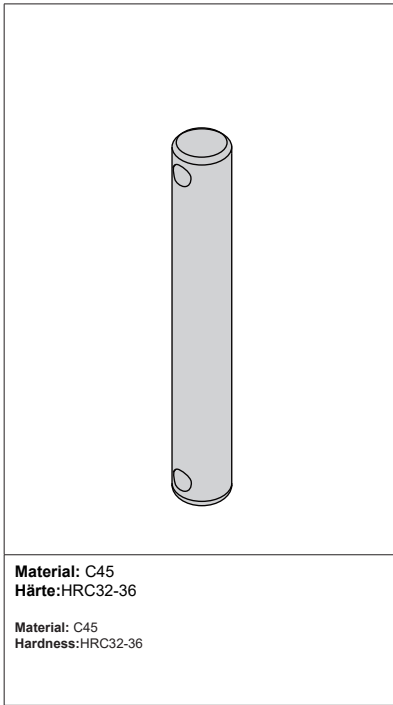
Bestellnummer / Order Number

	Bestellnr. / Catalog No.	-	d
	DM-GLBA	-	65





DM-GLBXZ

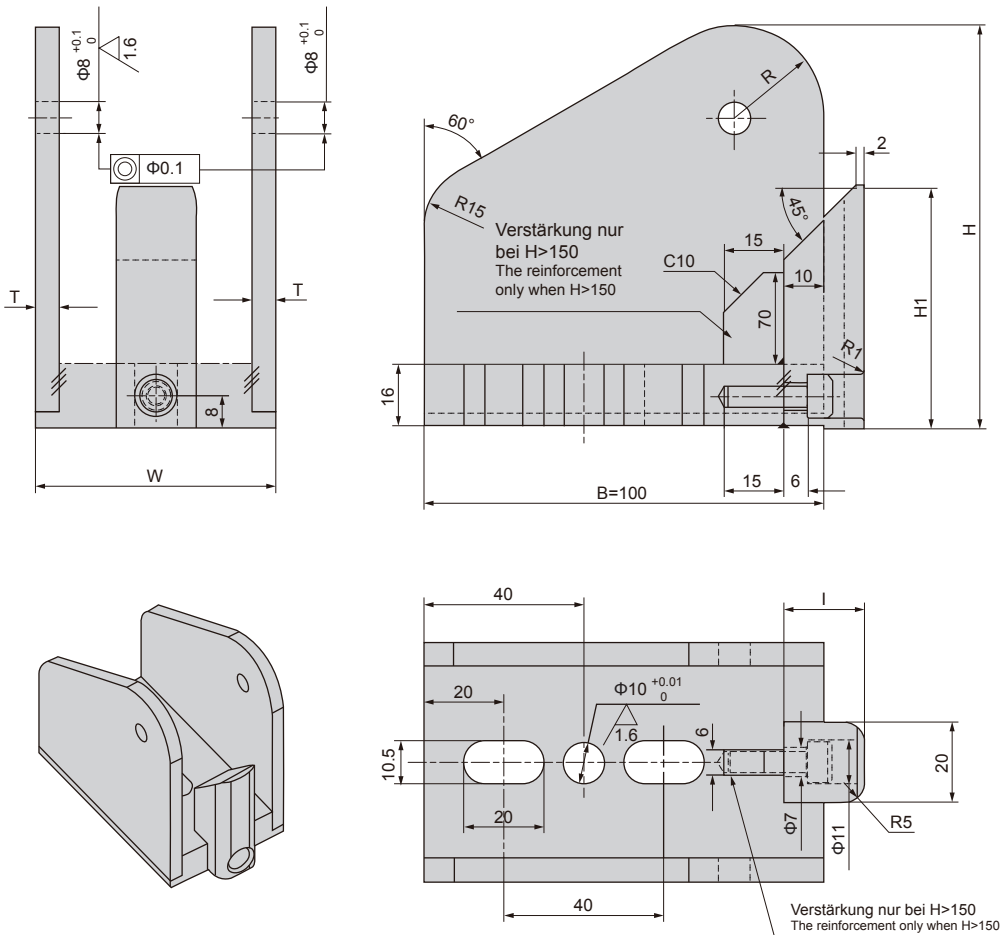


Bestell-Nr. Catalog No.	L	36	58	76
DM-GLBXZ				

Bestellnummer / Order Number

☎ -
 DM-GLBXZ - 36




DM-GLCDZ


Material: C45
Befestigung: Innensechskantschraube M6X20 GB70
Spezialhinweis: Verstärkung nur bei H>150

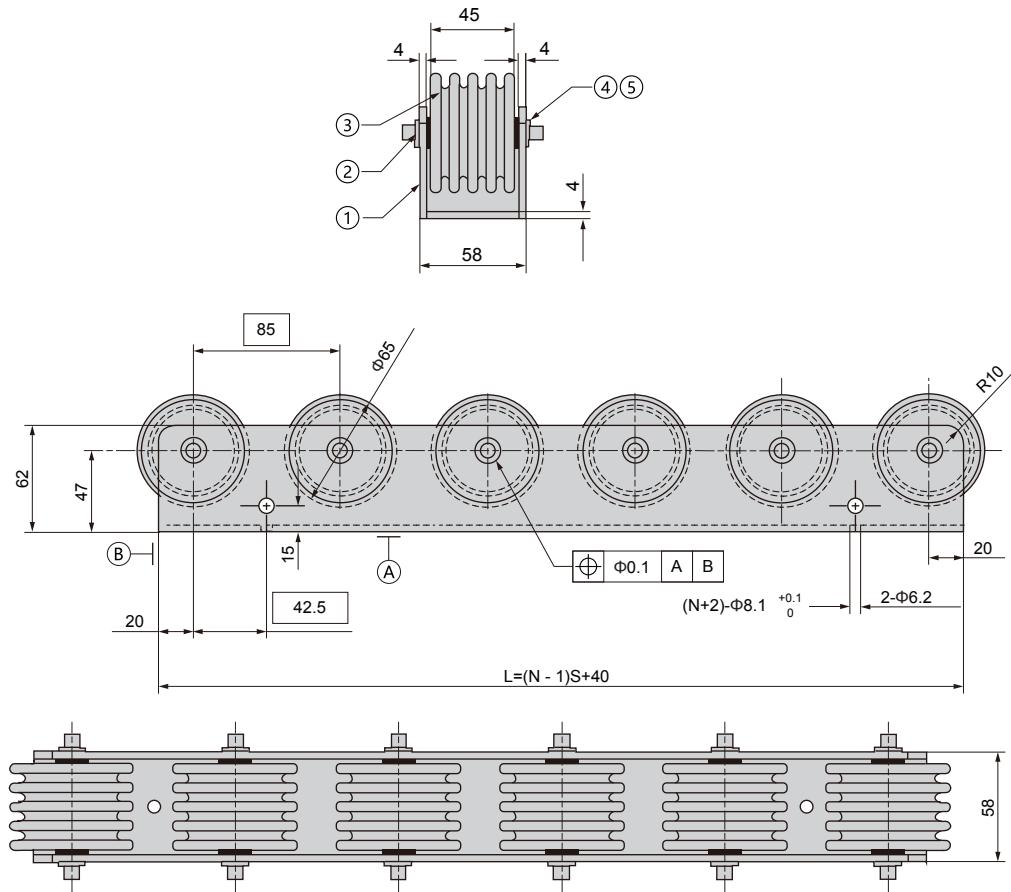
Material: C45
Attachment: Hexagon socket head bolt M6X20 GB70
Special Note: The reinforcement only when H>150

Bestell-Nr. Catalog No.	H	B	W	H1	I	T	R
DM-GLCDZ	100	100	60	60	20	6	22.5
	150			110			

Bestellnummer / Order Number

	Bestellnr. / Catalog No.	-	H
	DM-GLCDZ	-	100



DM-GDC


N ist die Anzahl der Rollen

Bauteile:

- | | | |
|-----------------|----|---|
| 1. Rollenhalter | 1 | C45 (bestehend aus drei zusammengeschweißten 4mm-Platten) |
| 2. Rollenachse | N | DM-GLBXZ(L=76) |
| 3. Rolle | N | DM-GLBA(d=65) |
| 4. Scheibe | 2N | 8 GB97.1 |
| 5. Splint | 2N | 3.2x 16 |


N is the number of rollers

Component parts:

- | | | |
|----------------|----|---|
| 1. Roll holder | 1 | C45 (It consists of three pieces of 4mm plates welded together) |
| 2. Pin shaft | N | DM-GLBXZ(L=76) |
| 3. Roller | N | DM-GLBA(d=65) |
| 4. Washer | 2N | 8 GB97.1 |
| 5. Cotter pin | 2N | 3.2x 16 |

Bestell-Nr. Catalog No.	N	5	6	7	8	9	10
DM-GDC	L	380	465	550	635	720	805

Bestellnummer / Order Number

	Bestellnr. / Catalog No.	-	L
	DM-GDC	-	550

