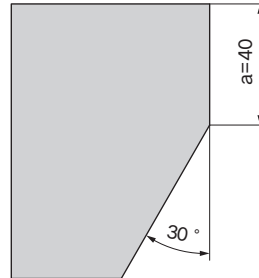
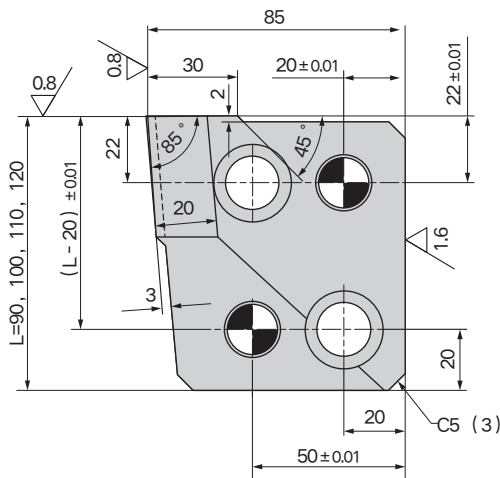
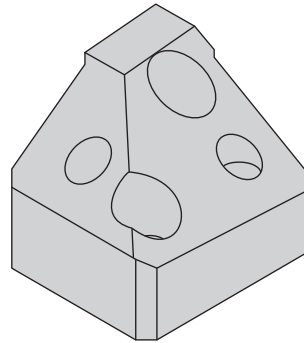
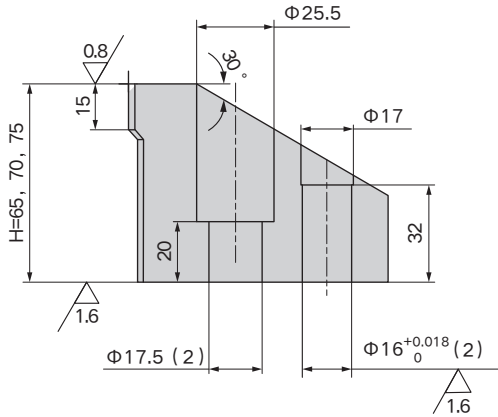




DM-FLDA



Technische Eigenschaften:

- 1. Material: M (Cr12MoV),
C (W6MoV5Cr4V2)
- 2. Härte K: HRC54-58 (Blechdicke T > 5 mm)
F: HRC58-62 (Blechdicke T ≤ 5 mm)

Diese Zeichnung zeigt die rechten Teile (R). Linker Teil symmetrisch

Technical requirements:

- 1. Material: M (Cr12MoV)
C (W6MoV5Cr4V2)
- 2. Hardness K: HRC54-58 (sheet thickness T > 5mm)
F: HRC58-62 (sheet thickness T ≤ 5mm)

This Drawing shows the right parts (R). The left(L) is symmetric to this drawing

Bestellnummer / Order Number



Bestellnr. / Catalog No.

L

H

R/L

C/M

K/F

DM-FLDA

- 90 -

65 -

R -

M -

K

