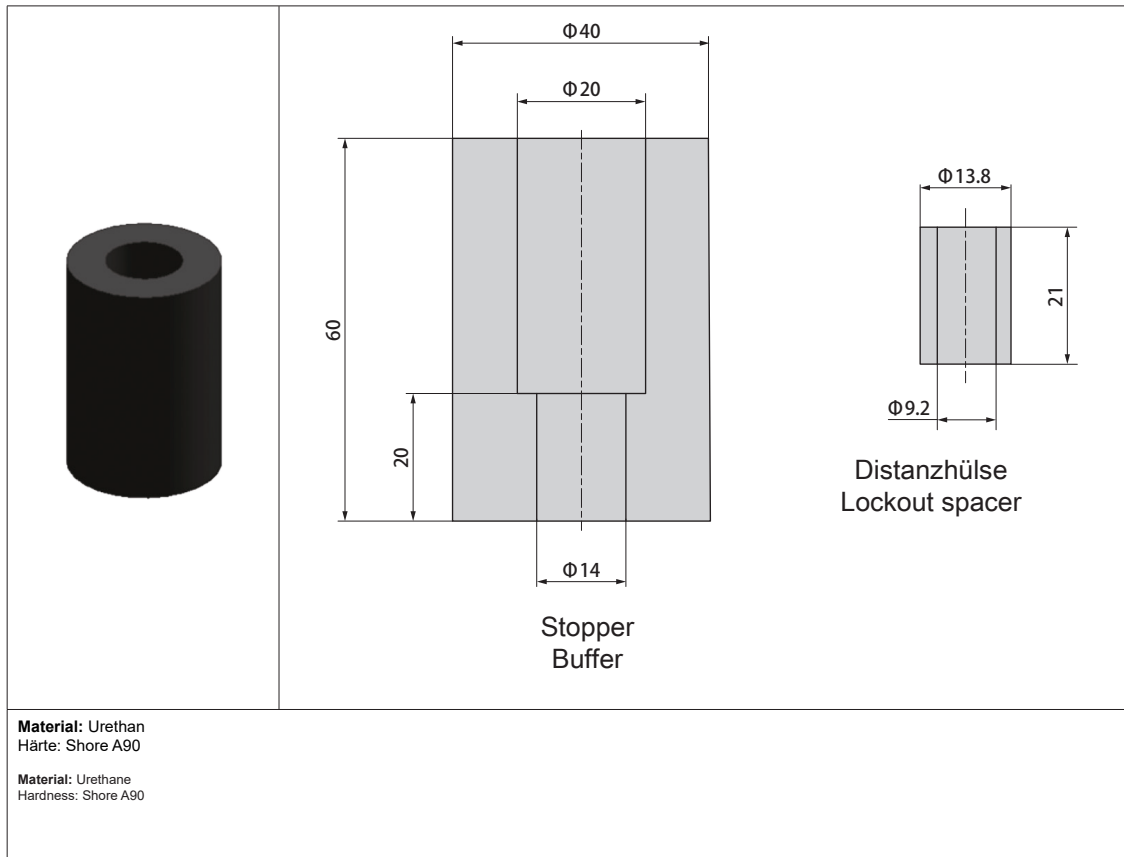
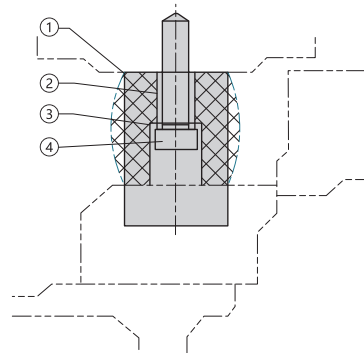


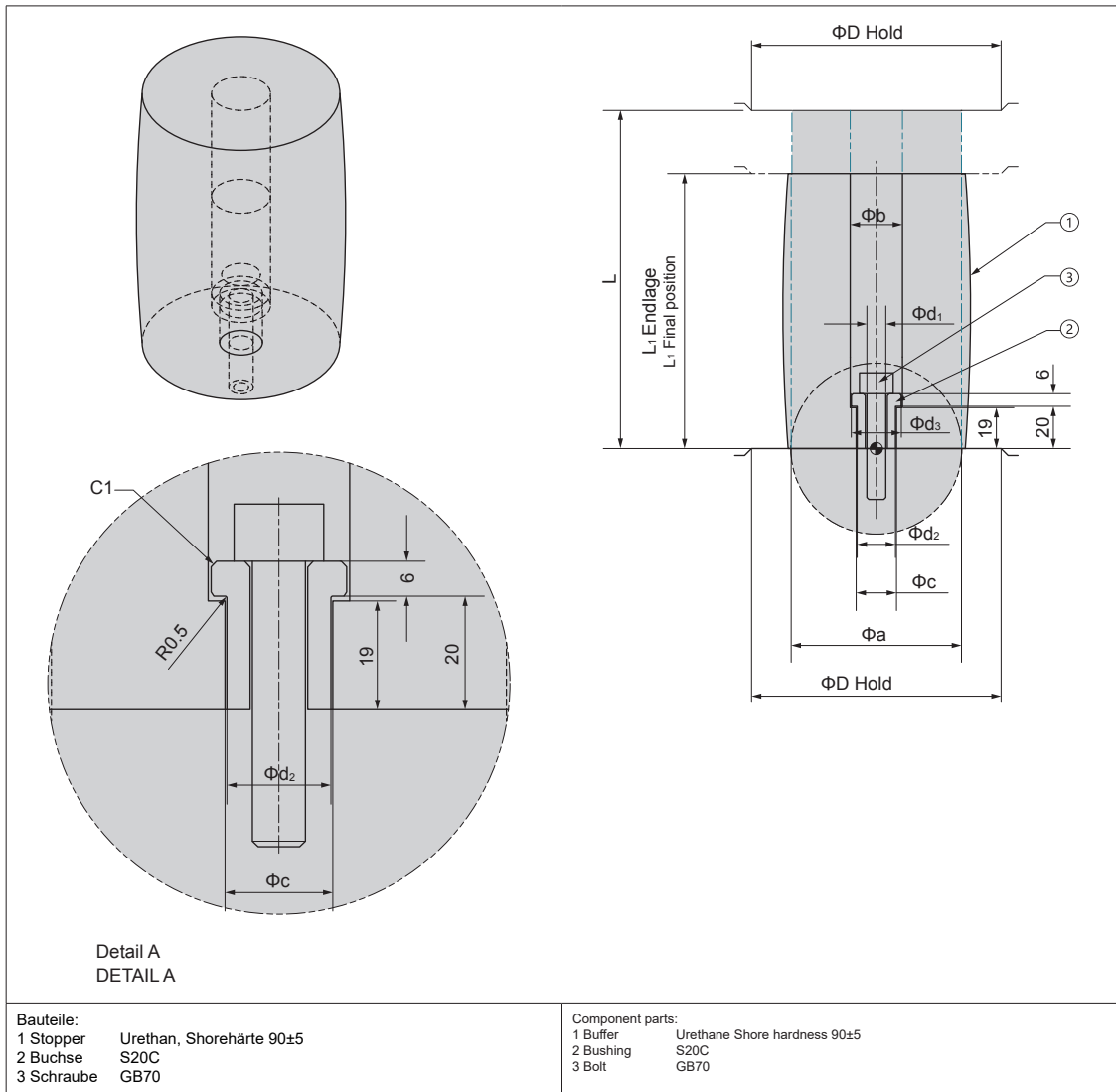
KP-PSYA40-60


Nr. No.	Teile-Bezeichnung Parts Name	Größe Size	Menge Quantity
1	Stopper / Buffer	Φ40X60	1
2	Distanzhülse / Lockout spacer	Φ13.8X21	1
3	Dichtring / seal ring	8	1
4	Schraube / Screw	M8X40	1


Bestellnummer / Order Number


Bestellnr. / Catalog No.

KP-PSYA40-60



KP-PSA


Bestell-Nr. Catalog No.	L ₁	b	c	d ₁	d ₂	d ₃	D	Maximaler Federweg Maximum compression	Maximale Kraft Maximum buffer force(daN)	Boizen Bolt
ΦaXL										
80x160	130	25	19	10.5	18.5	24.0	110	30	1500	M10X45
100x120	160	35	27	16.5	26.5	32.0	130	40	2900	M16X50
120x200	160	35	27	16.5	26.5	32.0	150	40	4300	
150x200	160	35	27	16.5	26.5	32.0	180	40	6000	

Verwendung als Halter des Stempelendes

Used to hold the die end

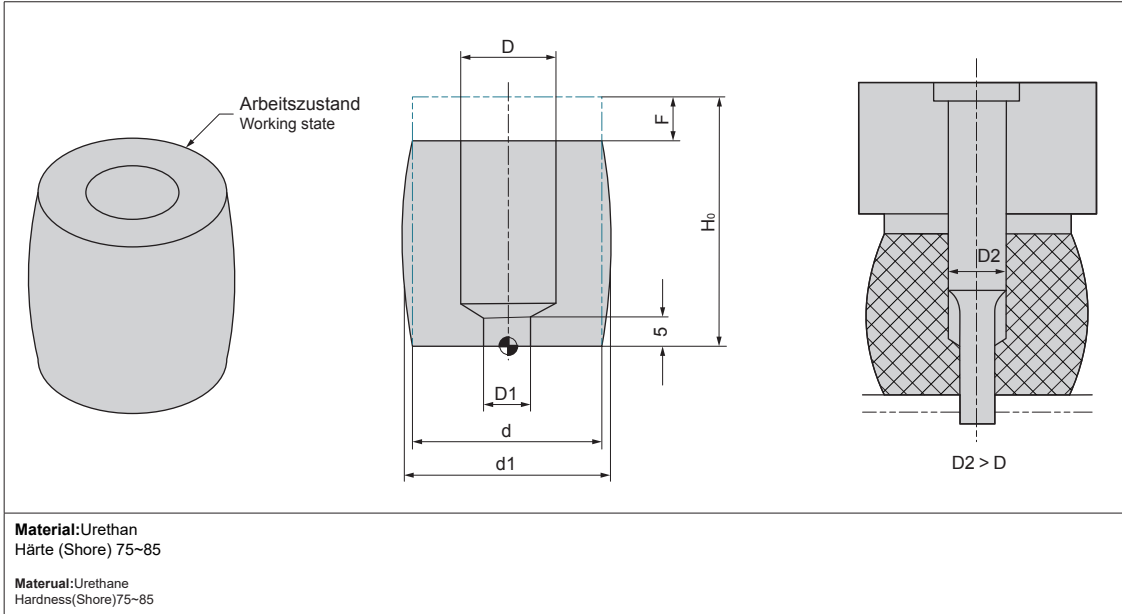
Bestellnummer / Order Number

	Bestellnr. / Catalog No.	-	a	-	L
	KP-PSA	-	80	-	160





DM-PSAA

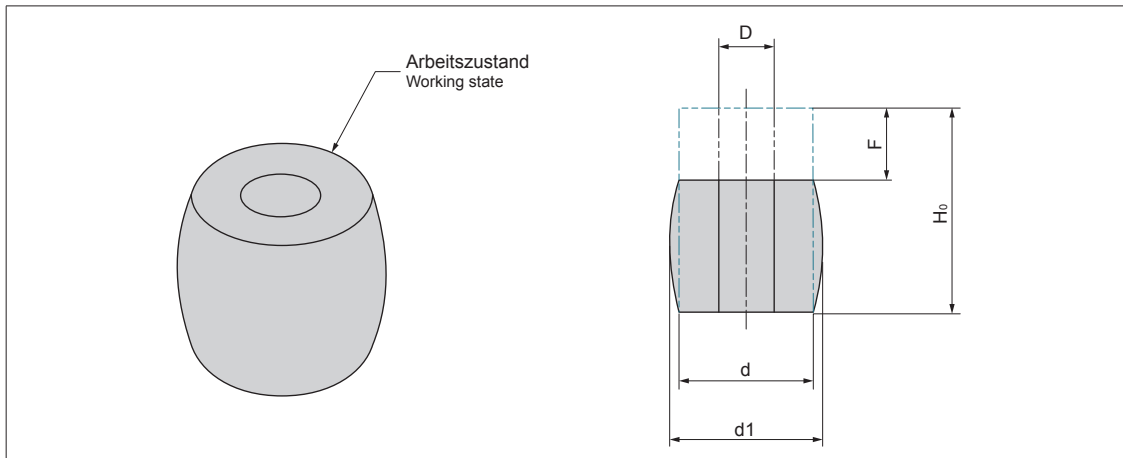


Bestell-Nr. Catalog No.	D	D1	d	F (max) in mm (max. Federweg/ max. spring travel)	Load (kgf)	d1 Max	H(0) in mm					
							20	25	32	40	50	63
DM-PSAA	6	2	13	0,25 x H(0) (siehe Tabelle ganz rechts/ see table right side)	100	15	○	○	○			
	8	2.5	16		159	18.2	○	○	○			
	10	4	20		190	23	○	○	○			
	12	5	25		300	29		○	○	○		
	16	8	32		430	37		○	○	○		
	20	12	40		459	46		○	○	○		
	25	16	50		755	58			○	○	○	
	32	20	63		1150	73				○	○	○
	36	25	72		1571	82				○	○	○

Bestellnummer / Order Number

☎ - -
DM-PSAA - **13** - **20**

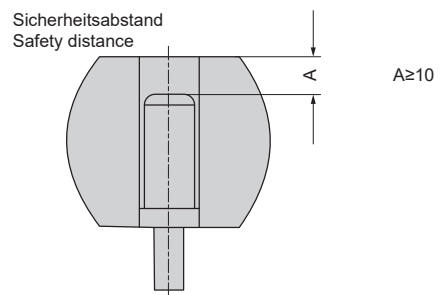



DM-PSAB


Material:Urethan
Härte (Shore) 75~85

Material:Urethane
Hardness(Shore)75~85

Bestell-Nr. Catalog No.	d	D	F (max) in mm (max. Federweg/ max. spring travel)	Kraft Load (kgf)	d1 Max	H(0) in mm											
						16	20	25	32	40	50	63	80	100	125		
DM-PSAB	(16)	6.5	0.25 x H(0) (siehe Tabelle ganz rechts/ see table right side)	120	20	○	○	○									
	(20)	8.5		219	25		○	○	○								
	(25)	10.5		350	32			○	○	○							
	32	13.5		500	40				○	○	○						
	40	13.5		1000	50					○	○	○					
	50	17.5		1796	63						○	○	○				
	63	17.5		3000	78							○	○	○			
	(80)	21		4500	100								○	○	○		


Bestellnummer / Order Number

	Bestellnr. / Catalog No.	-	d	-	H ₀
	DM-PSAB	-	16	-	16

