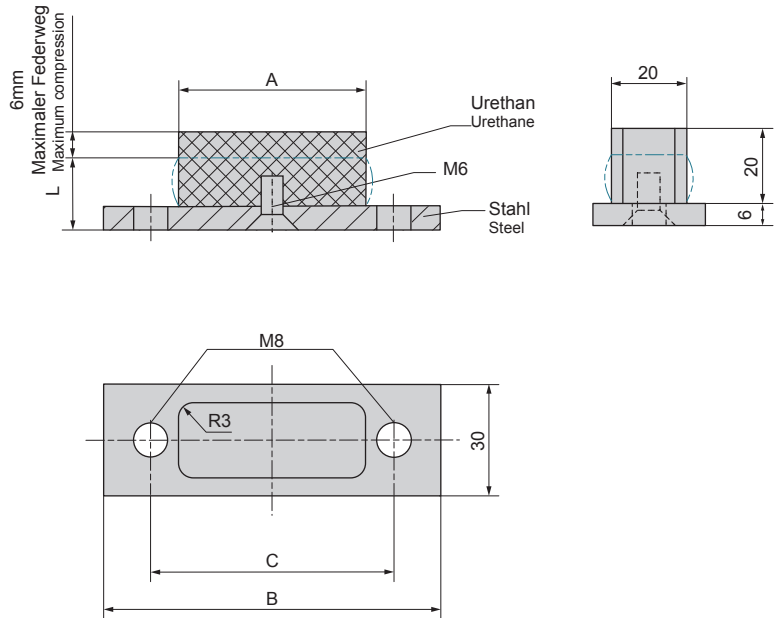
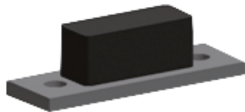




FG-HCZE



Material: Urethan+Stahl
Härte: Shore A90±5

Material: Urethane+Steel
Hardness: Shore A90±5

| Bestell-Nr. Catalog No. | A | B | C | KN |
|----------------------------|-----|-----|-----|----|
| FG-HCZE50-90 | 50 | 90 | 75 | 10 |
| FG-HCZE100-140 | 100 | 140 | 125 | 20 |

Bestellnummer / Order Number



Bestellnr. / Catalog No.

FG-HCZE

A

B

100 - 140

